

供货三一、徐工的部分产品图片：
Some products of Sany and Xugong :



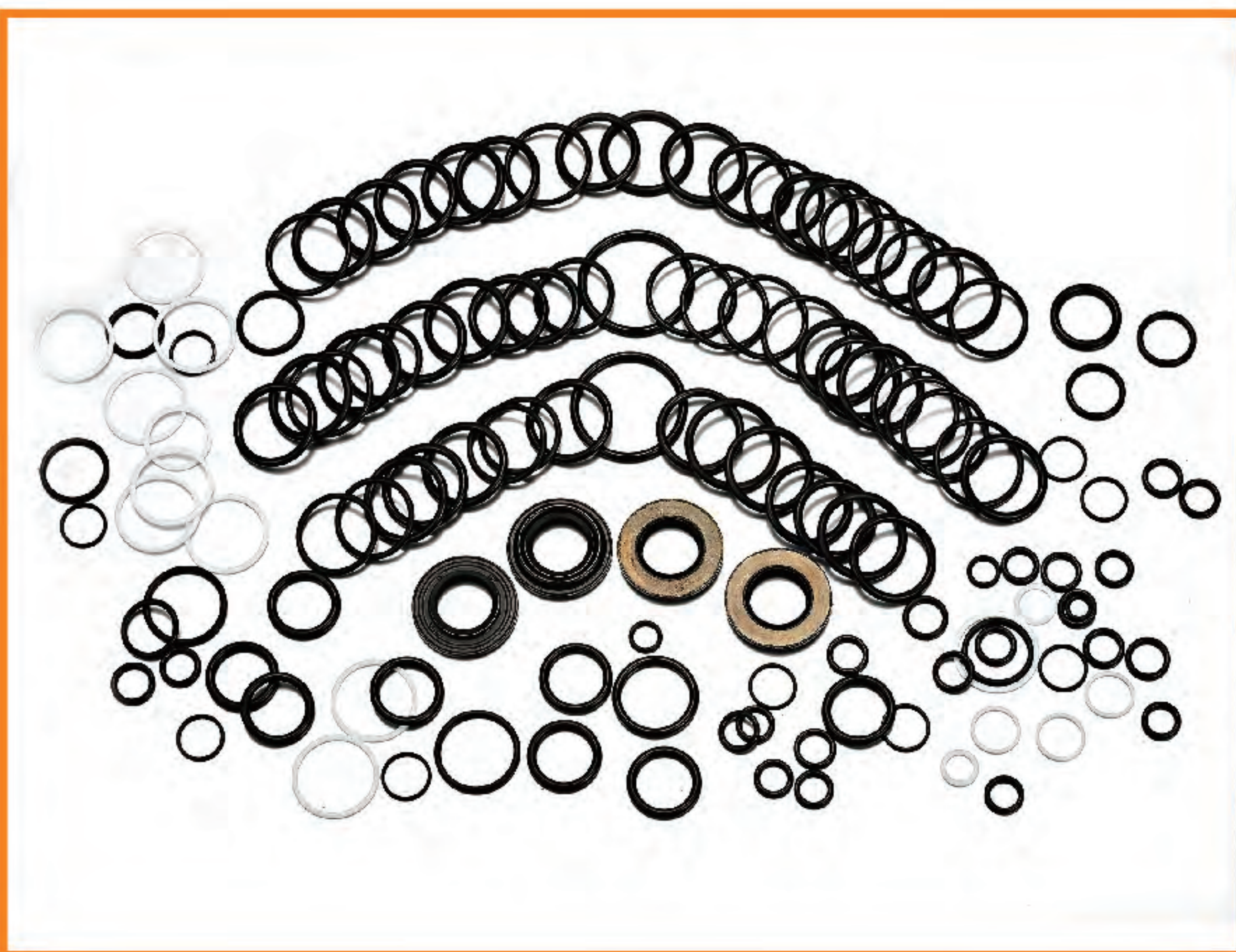
※ CYLINDER SEAL KIT



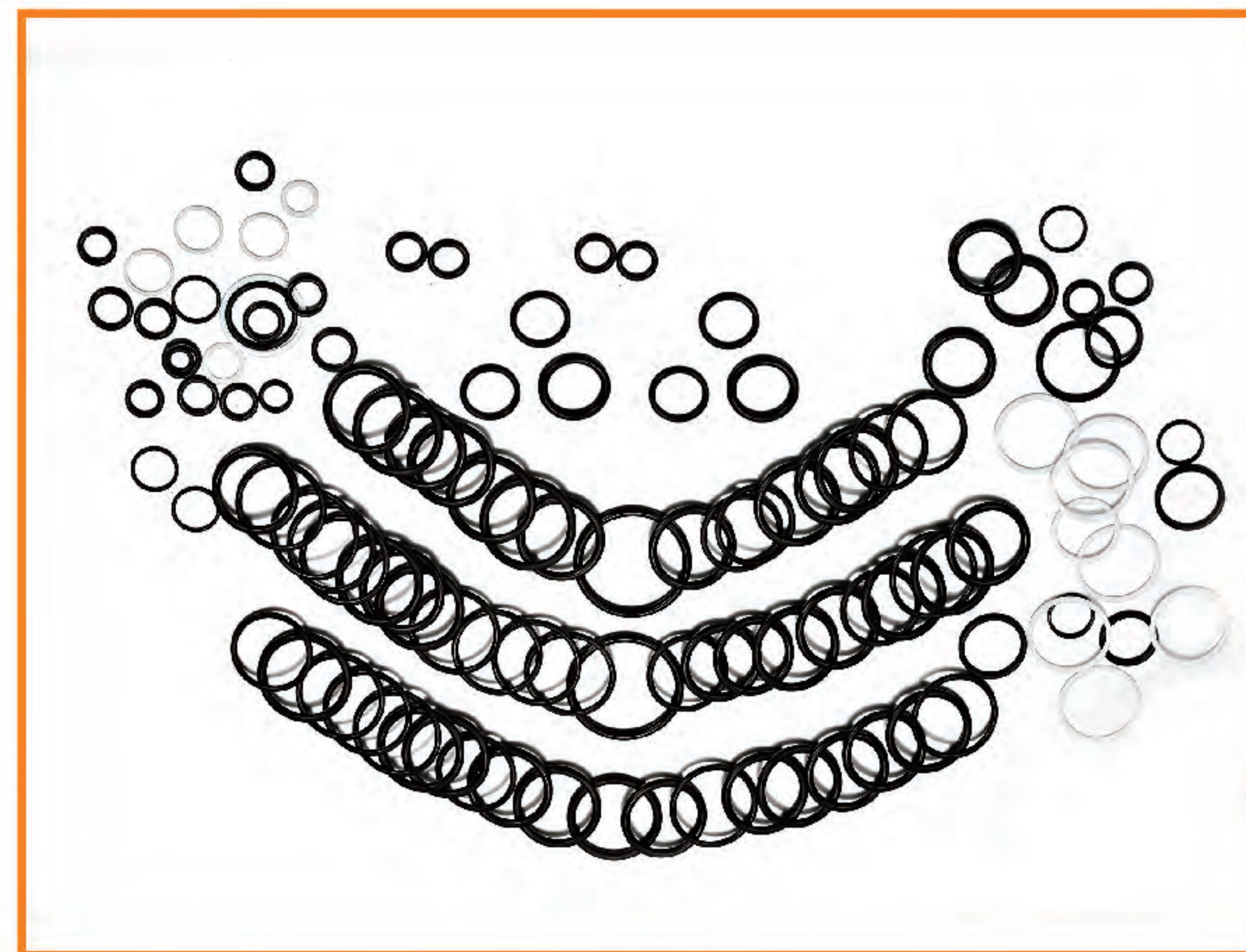
※ ADJUST CYLINDER SEAL KIT



※ CENTER JOINT KIT



※ HYDRUALIC PUMP SEAL KIT



※ CONTROL VALVE SEAL KIT



※ TRAVEL MOTOR SEAL KIT



※ SWING TRAVEK MOTOR



※ XCMG SEAL KIT



※ SANY SEAL KIT

修理包 SEAL KIT









PRODUCT LIST

产品名称 PRODUCT NAME	代号 CODE	型式 TYPE	品牌 BRAND	产品描述 PRODUCT DESCRIPTION	
防尘 DUST SEAL	P001	GWJ		挖机斗轴防尘，特殊设计有着优秀的防尘效果；润滑时，防尘唇可以开启，释放过多的润滑脂。	Shaft dust seal for excavator,with the special design, has excellent dustproof effectwhen lubricating, the dust lip can be opened to release excessive grease.
	P003	HWG		挖机油缸缸头防尘圈，加强加厚的骨架设计，稳定性更高，且安装不变形；密封唇带泄油口，防止困油带出防尘圈	Excavator cylinder head wiper ring, strengthen the thickened skeleton design, higher stability, and the installation is not deformed; seal lip drain port to prevent oil trapping out of the dust ring.
	P005	PAD		标准型SKF油缸缸头双唇防尘圈	Stander type of SKF cylinder head double lips dust seal.
	P007	PADN		优化改进型的SKF防尘，在PAD防尘基础上加厚了骨架的设计，并在密封唇上设计了泄油孔。	Updated SKF dust seal, strengthen the thickened skeleton design,based on PAD dust seal,add the drain hole on the sealing lip.
主油封 ROD SEAL	P009	HRN		针对挖机售后维修油缸开发的主油封。	The main oil seal developed for the excavator maintenance cylinder
	P011	PTB		SKF加强型挖机主油封，专门针对维修市场使用。	A strenthen main seal foe excavator,specially designed for use in the repair market.
	P013	ZBR		SKF高性能挖机主油封，特殊的设计使产品外侧紧贴沟槽槽底，实现外径处良好的密封；反向压缩抱紧活塞杆实现内侧的密封，双唇设计产品工作时更稳定，密封效果更好。	SKF High performance main seal for excavator,the outside of seals can stay close with the groove bottom, achieve a good sealing effect;Reverse direction compress the piston rod and achieve the good sealing effect inside,The double lip design product works more stably and has a better sealing effect.
	P015	S1S		SKF高性能挖机主油封，特殊的设计使产品使用寿命更长。主要适用于较新的油缸使用。	SKF High performance main seal for excavator,the long life time due to the special design.Suitable for the new cylinders.
	P017	DZ		SKF加强型挖机主油封，特殊设计密封效果更佳；密封唇和根部分体，产品随动性更好；根部材料高硬度，抗挤出性强，可不需安装挡圈使用。	A strenthen main seal foe excavator, excellent sealing effect due to the special design.It dixided into two parts:lips and back. It's design has strong resilience.Materials for the seal's back is high hardness,resistance to extrusion.No need the back up ring for help.
缓冲 BUFFER RING	P019	RBB		标准型SKF油缸用缓冲密封圈。	Standard type SKF buffer ring and dust ring.
	P021	HRB		产品采用低压变，高回弹，综合力学性能优异的材料做成，挡圈不分正反面设计，可避免安装时装反。产品结构跟欧美设计一致。	The product is made of low-pressure, high-rebound, and excellent mechanical properties,made by excellent material. The retaining ring is designed without the front and back, which can avoid the installation of error. The product structure is consistent with European and American design.
	P023	HRX		产品采用低压变，高回弹，综合力学性能优异的材料做成，外侧增加泄压槽设计，挡圈采用尼龙材料。产品结构跟日系设计一致。	The product is made of low-pressure, high-rebound, and excellent mechanical properties,made by excellent material. Increased pressure relief groove design, retaining made my NY.The product structure is consistent with Japanese design.

产品目录选型

PRODUCT LIST



产品名称 PRODUCT NAME	代号 CODE	型式 TYPE	品牌 BRAND	产品描述 PRODUCT DESCRIPTION	
活塞封 PISTON SEAL	P025	HPK		阶梯开口改性尼龙滑环, 丁腈橡胶弹性体, 抗挤出性强; 滑环开口安装方便; 沃尔沃挖机用活塞密封结构, 可替代SPGO使用。	Step-wise Nylon slip ring, NBR flexible ring, resistance to extrusion; Convenience to install due to the opened slip ring; Volvo machines piston sealing structure, can instead of SPGO.
	P027	HPG		标准型挖机油缸用活塞组合密封。	Standard type excavator cylinder with piston combination seal.
纳污环 CONTAMI SEAL	P029	KZT		标准型挖机油缸用纳污环。	Anti-fouling ring, standard type of digging machine cylinder.
支承环 WEAR RING HGR	P031	HGR		高柔性酚醛树脂导向环, 承压能力高, 弯折不易断, 产品经打磨处理外观手感更好。	The high-viscosity phenolic resin guiding ring has high pressure bearing capacity, and the bending is not easy to break. The product is polished and treated to have a better hand feeling.
PU-O 型圈 PU-O RING	P035	OR		聚氨酯O圈强度更高更耐磨; 耐高压抗挤出性更强。特别适应挖机油缸缸头静密封O圈因涨缸导致的挤出损坏。以及适用于中心接头旋转O圈更耐磨, 寿命更长。	The O-ring made of PU, have Higher strength and wear resistance; high pressure resistance and extrusion resistance. It is especially suitable for the extrusion damage caused by the rising cylinder of the O-ring of the excavator cylinder head. And suitable for the center joint rotating O-ring is more wear-resistant and longer life.
中心接 头回转密封 CENTER JOINT & ROTARY MOTOR SEAL	P037	RRS		产品采用低压变, 高回弹, 综合力学性能优异的材料做成, 合理的尺寸设计, 产品使用寿命更长更稳定。	The product is made of low-pressure, high-rebound, comprehensive mechanical properties, reasonable size design, longer and more stable product life.
涨紧缸 活塞封 ADJUST CYLINDER PISTON SEAL	P039	HPA		高端聚氨酯材料涨紧缸用活塞密封, 产品耐冲击、耐高压; 特殊的结构设计, 即保证良好的密封效果, 又延长密封件的使用寿命。	High quality PU material piston seals for ADJ Cylinder, the products impact resistance, high pressure resistance; special structural design, which guarantees a good sealing effect and prolongs the service life of the seal.
修理包 SEAL KIT	P041			可提供各种机型的油缸密封修理包, 涨紧缸修理包, 中心接头修理包, 泵、阀修理包, 行走、回转机构修理包等密封产品。	Provided all kinds of cylinder seal kits/Adjust cylinder seal kits/Center joint seal kits/Pump/Valve/Travel motor/Rotary motor seal kits and other sealing products.

防尘圈GWJ

DUST SEAL GWJ



GWJ骨架防尘圈用来防止粉尘、污物、沙粒、金属碎屑进入液压缸活塞杆端部的球轴承，这样减少了因外部污物侵入划伤旋转销轴的危险。通过防尘唇特殊设计，有着优秀的防尘效果；此外在润滑时，防尘唇可以开启，释放过多的润滑脂。防尘唇口与轴端部配合平齐，唇口对由外部原因引起的损坏具有高度的防护性。

GWJ skeleton dust seal is used to prevent dust, dirt, sand and metal debris from entering the ball bearing at the end of the piston rod of the cylinder, reducing the risk of scratching the rotating pin due to external dirt intrusion. Special design with dust lip has excellent dustproof effect; in addition, when lubricating, the dust lip can be opened to release excessive grease. The dust lip is flush with the end of the shaft, and the lip is highly resistant to damage caused by external causes.

技术参数

- ※ 工作温度：-35℃~+100℃（依据材料不同而不同）
- ※ 工作速度：≤2.0m/s
- ※ 材 料：唯万自主研发的聚氨酯和金属

GWJ密封件主要特点

- ※ 加强加厚的骨架设计，稳定性更高，且安装不变形；
- ※ 特殊防尘唇设计，即具有良好的防尘效果，又能释放过多的润滑脂。

安装要求

- ※ 此类防尘圈外径稍大，可保证安装后在沟槽内形成一个可靠的紧配合。应避免防尘圈唇口与销轴孔眼或其它连接元件相接触。

Technical Parameters

- ※ Working temperature: -35℃ ~ +100℃
(depending on the material)
- ※ Working speed: ≤2.0m/s
- ※ Materials: Polyurethane and metal

GWJ Oil Seal Main Features

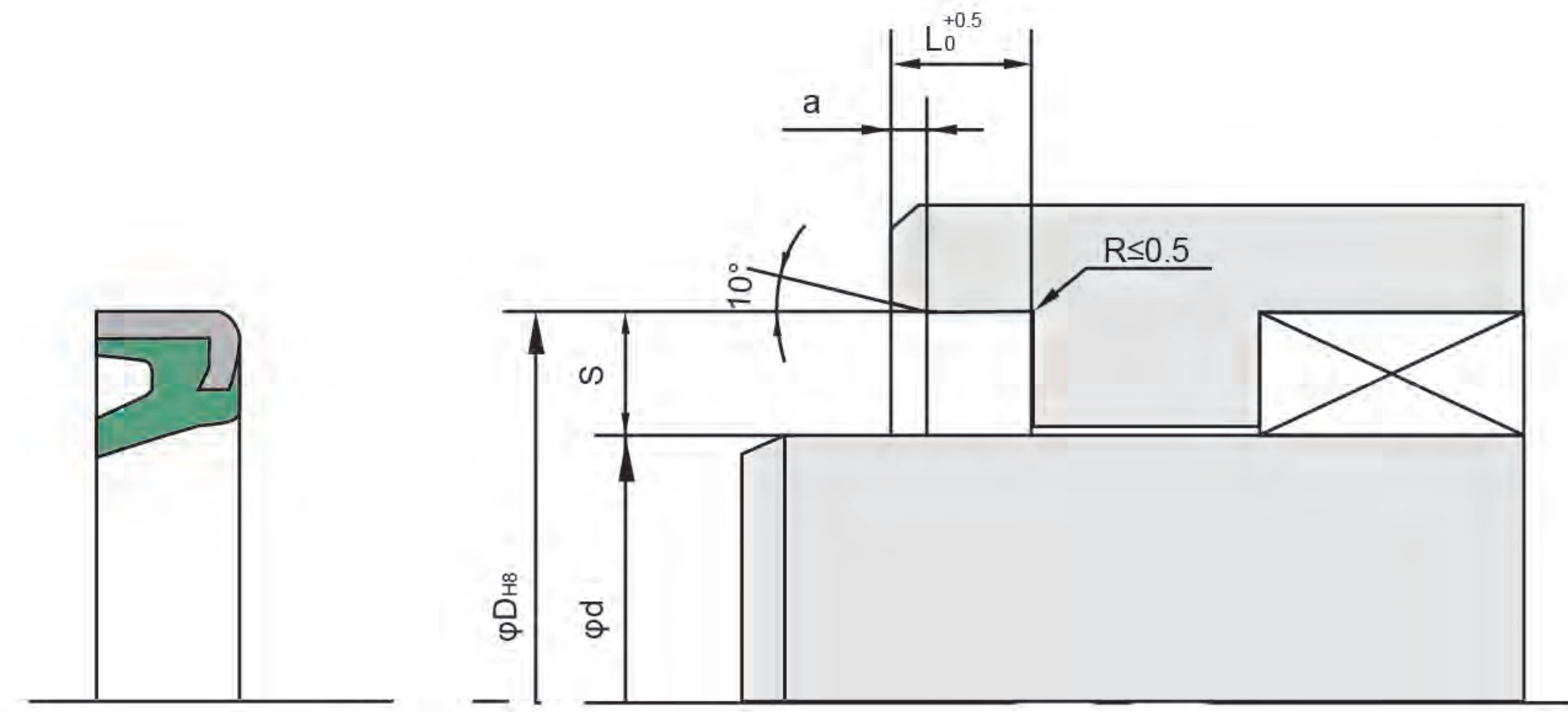
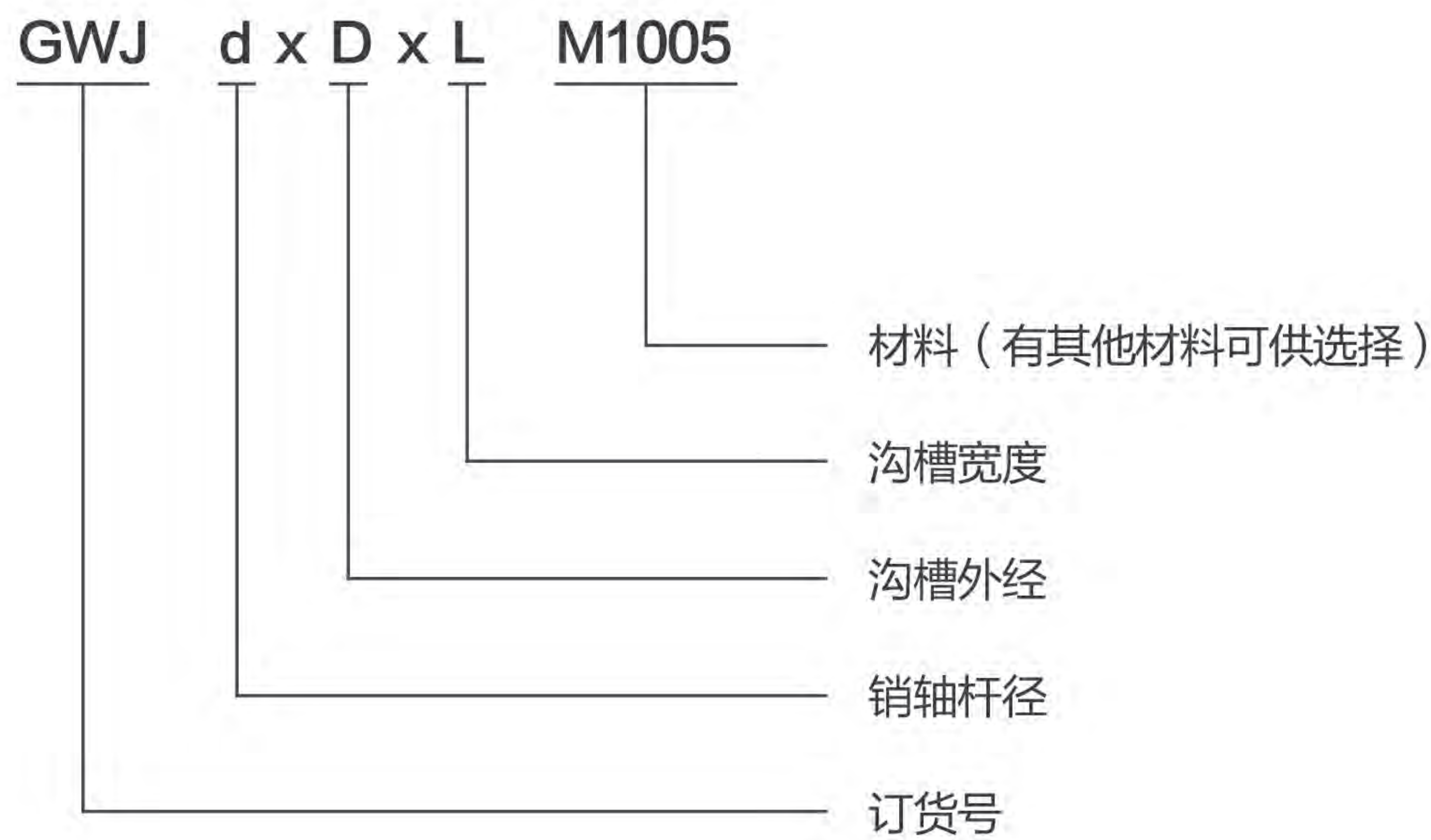
- ※ Strengthen the thickened skeleton design, the stability is higher, and the installation is not deformed;
- ※ The special dust lip design has good dustproof effect and can release too much grease.

Installation Requirements

- ※ This type of dust ring has a slightly larger outer diameter, and it ensures a reliable tight fit in the groove after installation. The wiper lip should be protected from contact with pin holes or other connecting elements.

订货号标注方法:

Order number labeling method:



GWJ型标准规格表 (单位: mm)

GWJ Standard Specification Sheet (Unit: mm)

订货号	d f7	D H8	L	S	a
GWJ 30X40X4	30	40	4	5	1
GWJ 40X50X4	40	50	4	5	1
GWJ 45X55X4	45	55	4	5	1
GWJ 50X60X4.2	50	60	4.2	5	1
GWJ 50X60X5	50	60	5	5	1
GWJ 50X65X5	50	65	5	7.5	1
GWJ 55X70X5	55	70	5	7.5	1
GWJ 55X72X8	55	72	8	8.5	1
GWJ 60X70X5	60	70	5	5	1
GWJ 60X74X7	60	74	7	7	1
GWJ 60X75X5	60	75	5	7.5	1
GWJ 60X80X5	60	80	5	10	1
GWJ 65X75X5	65	75	5	5	1
GWJ 65X79X7	65	79	7	7	1
GWJ 65X80X5	65	80	5	7.5	1
GWJ 65X85X5	65	85	5	10	1
GWJ 70X85X4	70	85	4	7.5	1

订货号	d f7	D H8	L	S	a
GWJ 70X85X5	70	85	5	7.5	1
GWJ 70X85X8	70	85	8	7.5	1
GWJ 71X86X6	71	86	6	7.5	1
GWJ 75X90X5	75	90	5	7.5	1
GWJ 75X90X8	75	90	8	7.5	1
GWJ 80X95X5	80	95	5	7.5	1
GWJ 80X95X8	80	95	8	7.5	1
GWJ 85X100X8	85	100	8	7.5	1
GWJ 90X104X8	90	104	8	7	1
GWJ 90X105X6	90	105	6	7.5	1
GWJ 90X105X8	90	105	8	7.5	1
GWJ 95X110X8	95	110	8	7.5	1
GWJ 100X115X6	100	115	6	7.5	1
GWJ 100X115X9	100	115	9	7.5	1
GWJ 110X125X7	110	125	7	7.5	1
GWJ 110X125X9	110	125	9	7.5	1

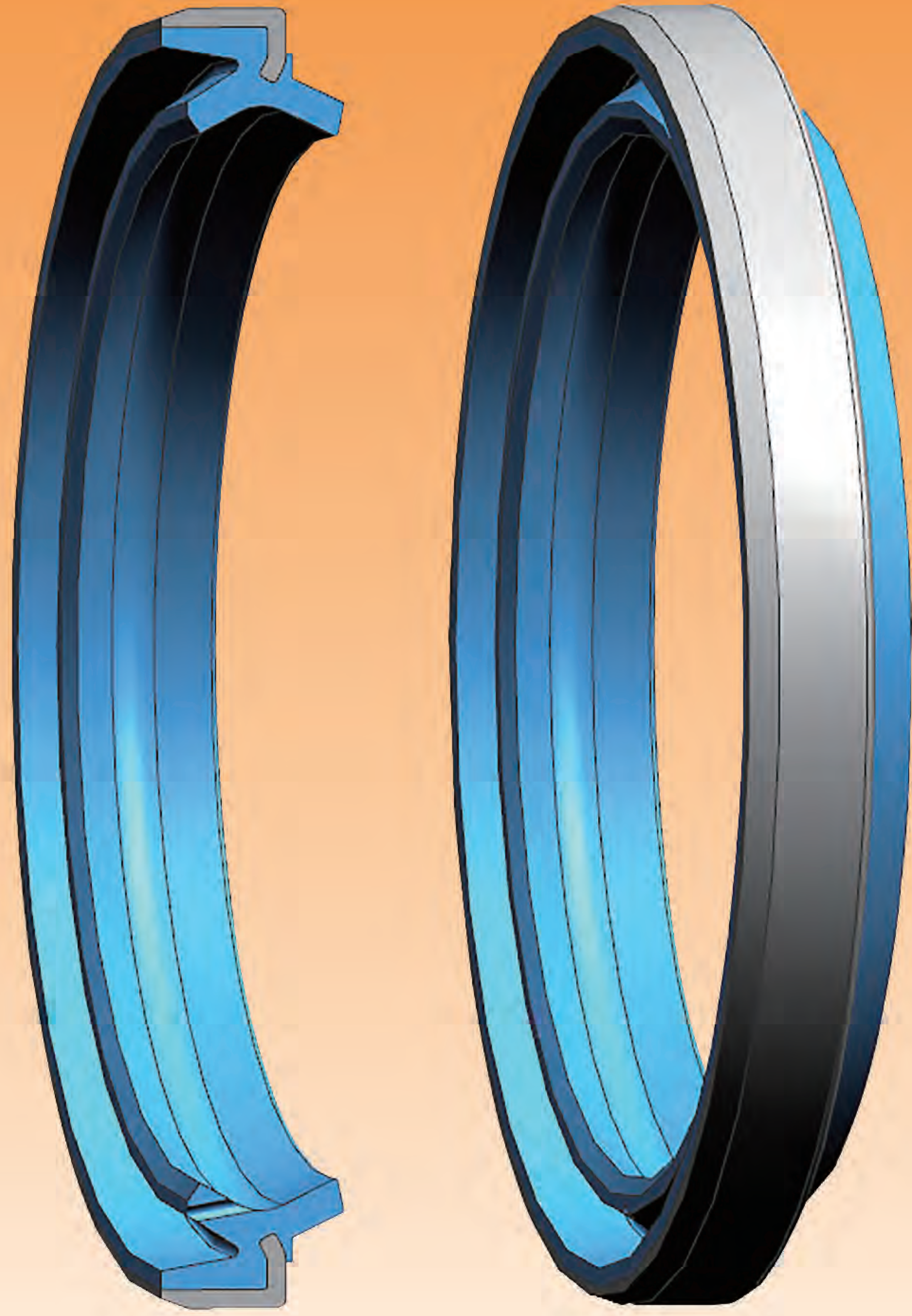
防尘 DUST SEAL

如有未标注的产品尺寸规格需求, 请与本公司咨询联系。
相应产品请联系我们公司或分销商购买。

Mark: If you have other product requirements, please contact us.
Please contact our company or distributor for the corresponding product.

防尘圈HWG

DUST RING HWG



HWG双作用骨架防尘圈用来防止污物进入液压缸，并提高密封效果。压入式安装可防止外径污染物进入；密封唇可与活塞杆密封一起配合作用可提高额外的密封以减少泄漏；防尘唇面向外界，最大限度的将污染物排除在活塞杆外面。

HWG double-acting skeleton dust ring is used to prevent dirt from entering the hydraulic cylinder and improve the sealing effect. Press-in installation can prevent the entry of outside diameter contaminants; The sealing lip can cooperate with the piston rod seal to increase the extra seal and reduce leakage; The dust lip faces the outside, so that the contaminants can be excluded from the piston rod to the utmost extent.

技术参数

- ※ 工作温度：-35℃~+100℃（依据材料不同而不同）
- ※ 工作速度：≤1.0m/s
- ※ 材 料：唯万自主研发的聚氨酯和金属

HWG防尘密封件主要特点

- ※ 加强加厚的骨架设计，稳定性更高，且安装不变形；
- ※ 密封唇带泄油口，防止困油带出防尘圈。

安装要求

- ※ 此类防尘圈外径稍大，可保证安装后在沟槽内形成一个可靠的紧配合。应避免防尘圈唇口与销轴孔眼或其它连接元件相接触。

Technical Parameters

- ※ Working temperature: -35℃ ~ +100℃
(depending on the material)
- ※ Working speed: ≤1.0m/s
- ※ Materials: Polyurethane and metal, which are independently developed by Weiwan

HWG Dust Seal Main Features

- ※ Strengthen the thickened skeleton design makes stability stronger and no deformation during installation.
- ※ Sealing lip with drain port to prevent oil from getting out of the dust ring

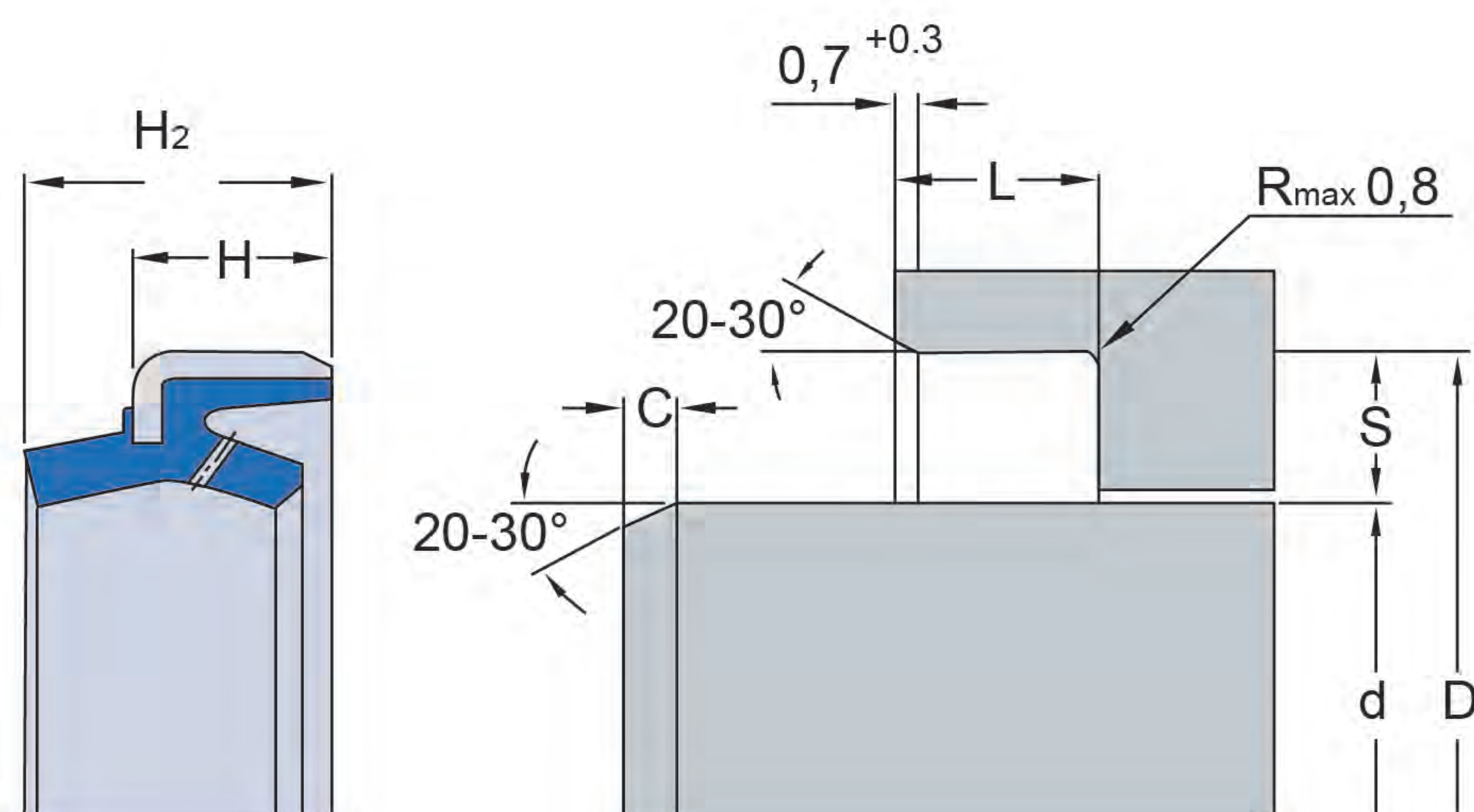
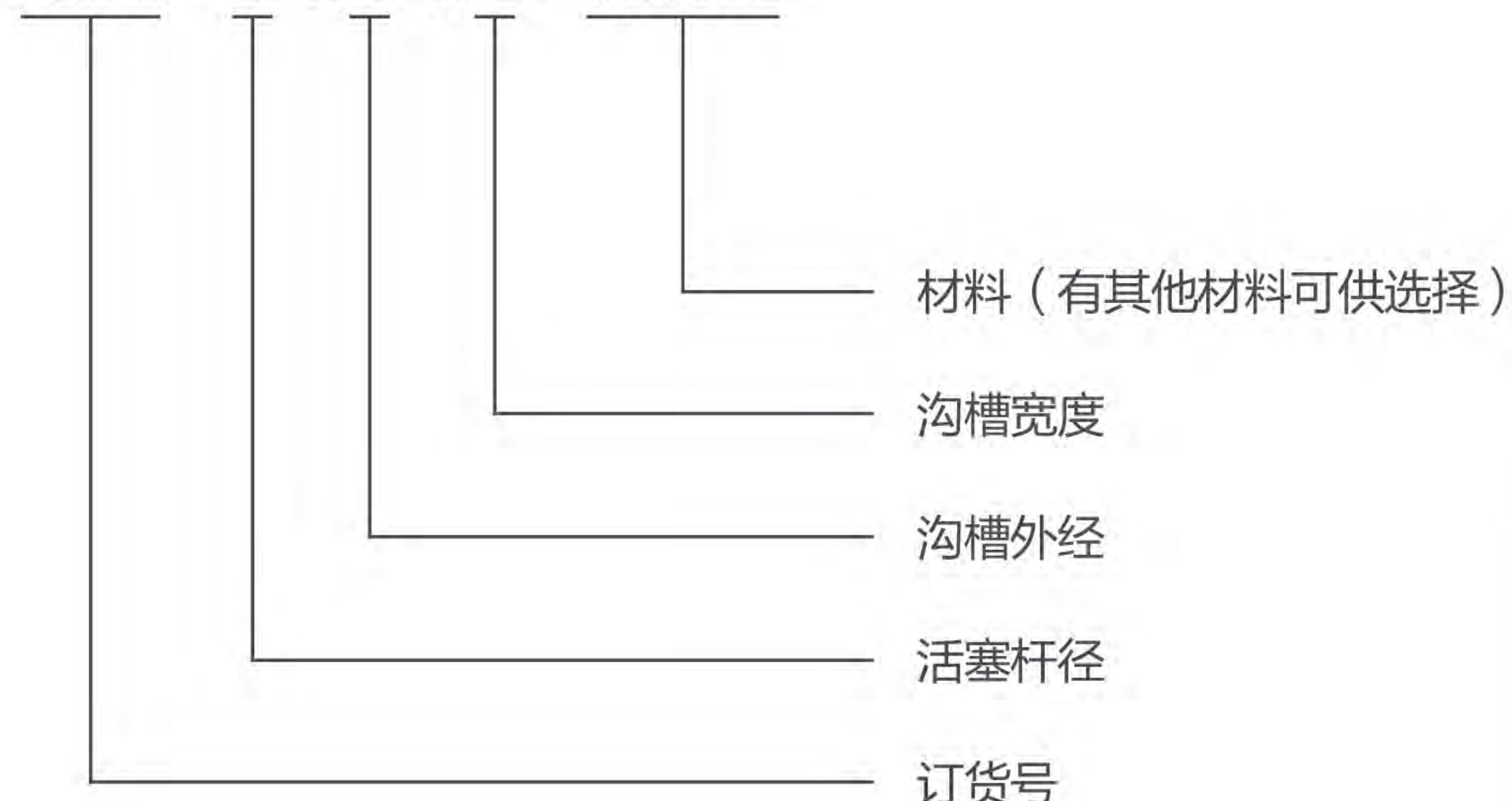
Installation Requirements

- ※ This type of dust ring has a slightly larger outer diameter, and it ensures a reliable tight fit in the groove after installation. The wiper lip should be protected from contact with pin holes or other connecting elements.

订货号标注方法:

Order number labeling method:

HWG d x D x L M1005



HWG型标准规格表 (单位: mm)

HWG type standard specification sheet (unit: mm)

订货号	d f7	D H8	L +/-0.2	S	C min	H	H2
HWG-40X52X7.3	40	52	7.3	6	4	7	10
HWG-45X57X7.3	45	57					
HWG-50X62X7.3	50	62					
HWG-55X69X8.4	55	69	8.4	7	5	8	11
HWG-60X74X8.4	60	74					
HWG-65X79X8.4	65	79					
HWG-70X84X8.4	70	84					
HWG-75X89X8.4	75	89					
HWG-80X94X8.4	80	94					
HWG-85X99X8.4	85	99	9.4	8	7	9	12
HWG-90X104X8.4	90	104					
HWG-95X109X8.4	95	109					
HWG-100X114X8.4	100	114					
HWG-105X121X9.4	105	121					
HWG-110X126X9.4	110	126					
HWG-115X131X9.4	115	131	10.4	10	8	10	14
HWG-120X136X9.4	120	136					
HWG-130X146X9.4	130	146					
HWG-140X160X10.4	140	160					

如有未标注的产品尺寸规格需求, 请与本公司咨询联系。
相应产品请联系我们公司或分销商购买。

Mark: If you have other product requirements, please contact us.
Please contact our company or distributor for the corresponding product.

防尘圈PAD

DUST RING PAD



PAD双作用骨架防尘圈用来防止污物进入液压缸，并提高密封效果。压入式安装可防止外径污染物进入；密封唇可与活塞杆密封一起配合作用可提高额外的密封以减少泄漏；防尘唇面向外界，最大限度的将污染物排除在活塞杆外面。

PAD double-acting skeleton dust ring is used to prevent dirt from entering the hydraulic cylinder and improve the sealing effect. Press-in installation can prevent the entry of outside diameter contaminants; The sealing lip can cooperate with the piston rod seal to increase the extra seal and reduce leakage; The dust lip faces the outside, so that the contaminants can be excluded from the piston rod to the utmost extent.

技术参数

- ※ 工作温度：-40℃~+110℃
- ※ 工作速度：≤1.0m/s
- ※ 材 料：聚氨酯和金属

Technical Parameters

- ※ Working temperature: -40℃~+110℃
- ※ Working speed: ≤1.0m/s
- ※ Materials: Polyurethane and metal

PAD防尘密封件主要特点

- ※ 标准型SKF油缸缸头双唇防尘圈；
- ※ 原装配套CAT、VOLVO挖机油缸防尘。

PAD Dust Seal Main Features

- ※ Standard SKF cylinder head double lip wiper;
- ※ Original package dust seal for CAT, VOLVO.

安装要求

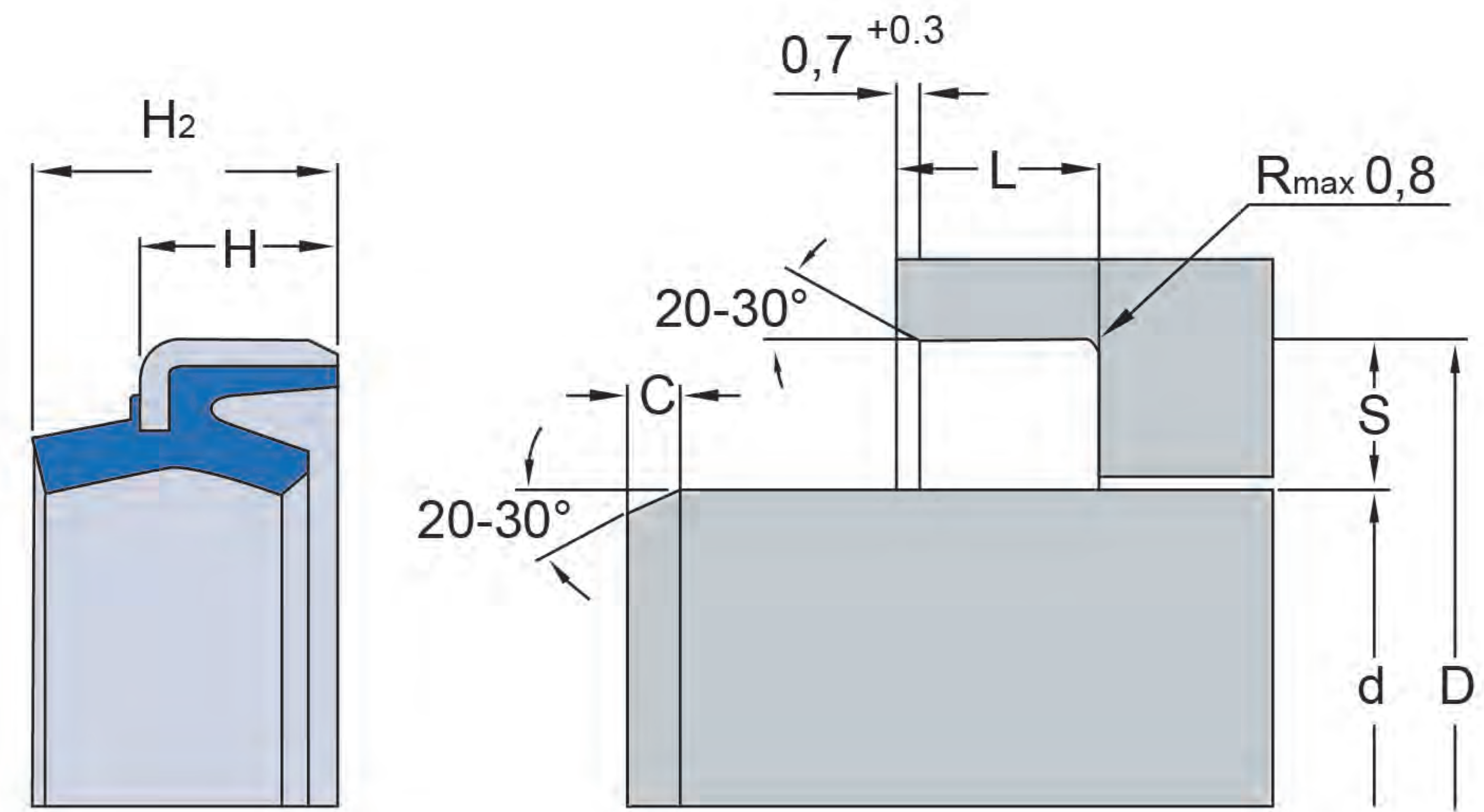
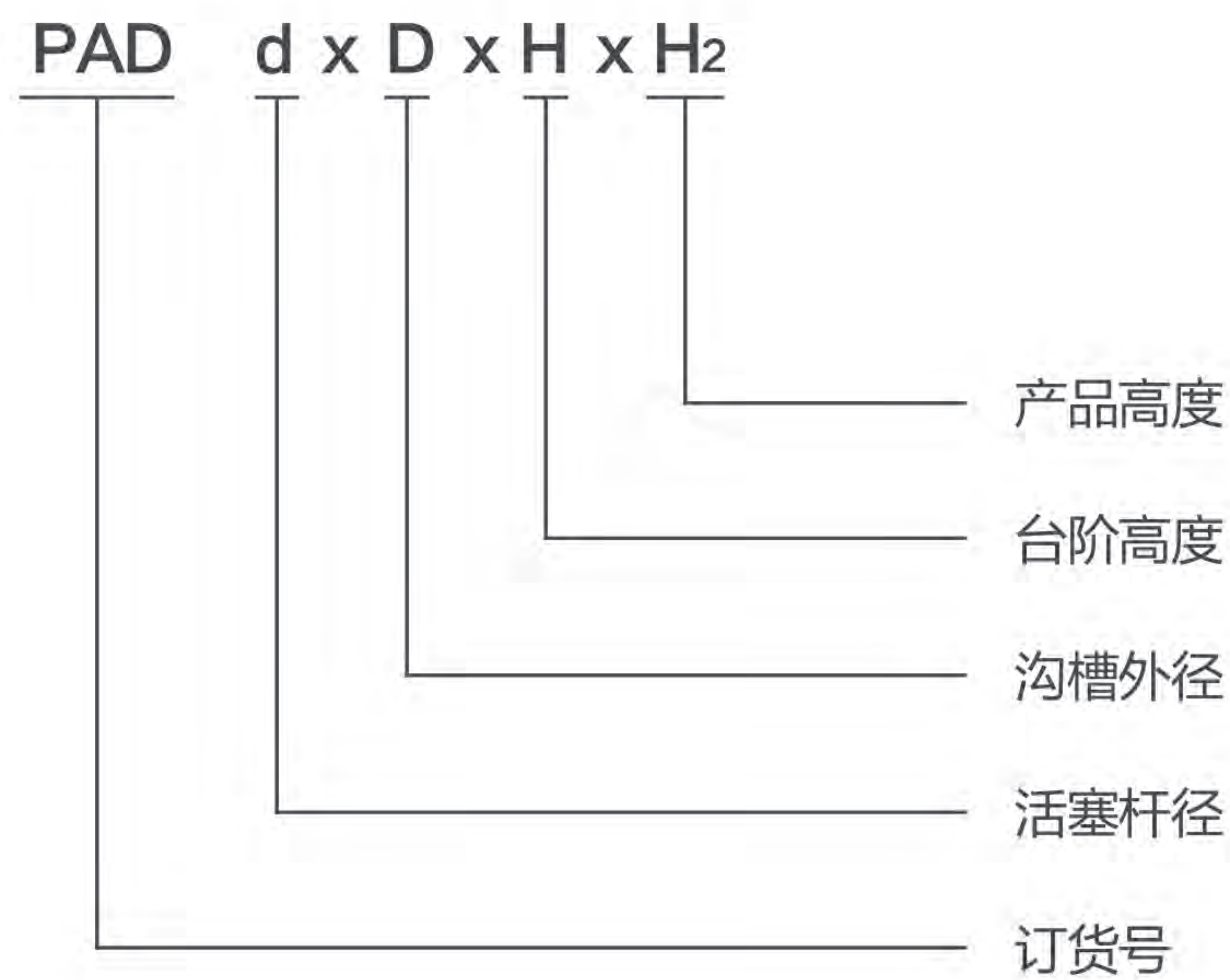
- ※ 此类防尘圈外径稍大，可保证安装后在沟槽内形成一个可靠的紧配合。安装时避免用力过大将防尘圈骨架压变形；避免防尘圈唇口与活塞杆孔眼或其它连接元件相接触。

Installation Requirements

- ※ This type of dust ring has a slightly larger outer diameter, and it ensures a reliable tight fit in the groove after installation. Avoid excessive force during installation to deform the dust ring skeleton; The wiper lip should be protected from contact with piston holes or other connecting elements.

订货号标注方法:

Order number labeling method:



PAD型标准规格表 (单位: mm)

PAD type standard specification sheet (unit: mm)

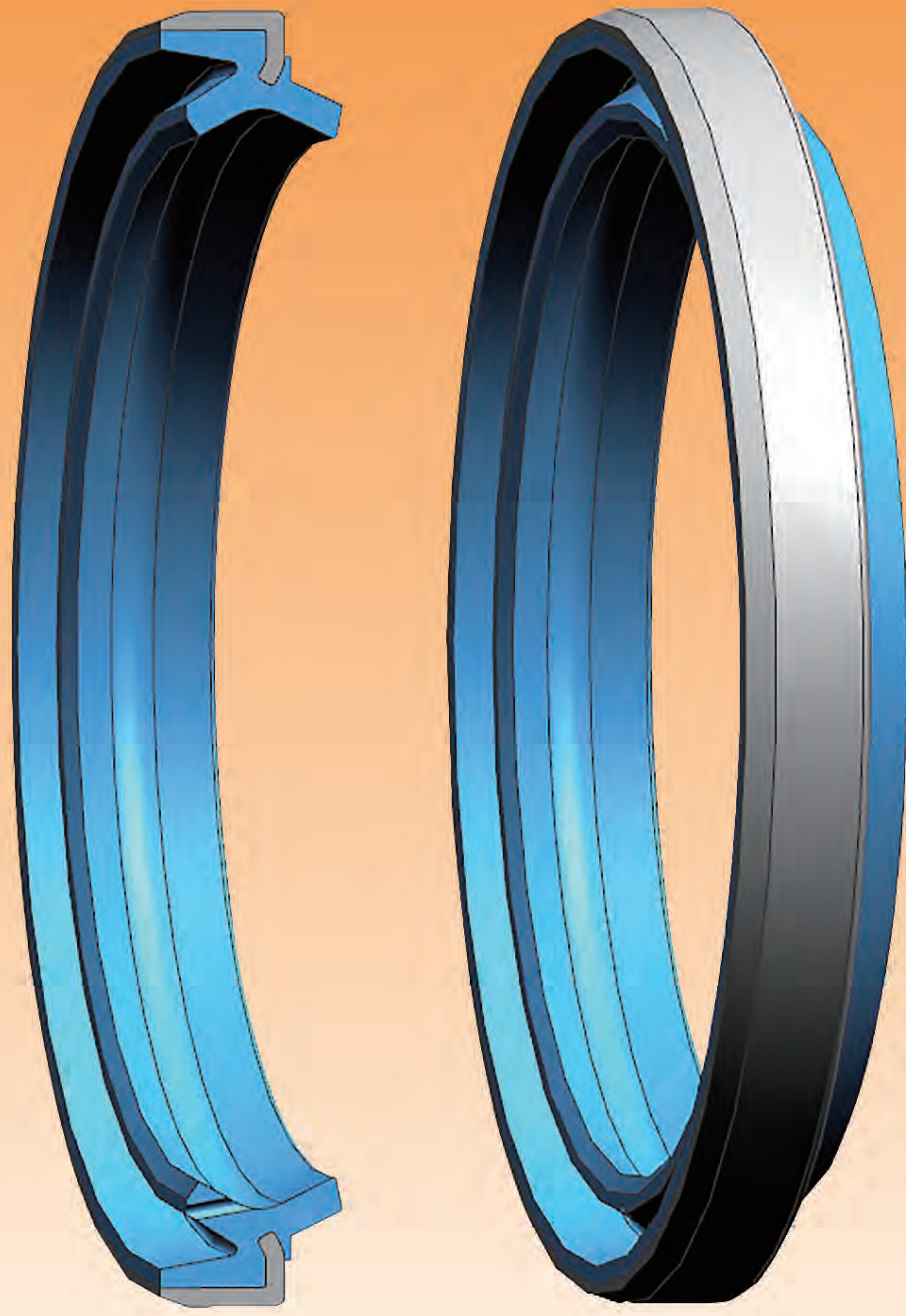
订货号	d f7	D H8	L +/-0.25	S	C min	H	H2
PAD-40X52X7X10	40	52	7.5	6	4	7	10
PAD-45X57X7X10	45	57					
PAD-50X62X7X10	50	62					
PAD-55X69X8X11	55	69	8.5	7	5	8	11
PAD-60X74X8X11	60	74					
PAD-65X79X8X11	65	79					
PAD-70X84X8X11	70	84					
PAD-75X89X8X11	75	89					
PAD-80X94X8X11	80	94					
PAD-85X99X8X11	85	99	9.5	8	7	9	12
PAD-90X104X8X11	90	104					
PAD-95X109X8X11	95	109					
PAD-100X114X8X11	100	114					
PAD-105X121X9X12	105	121					
PAD-110X126X9X12	110	126					
PAD-115X131X9X12	115	131	10.5	10	8	10	14
PAD-120X136X9X12	120	136					
PAD-130X146X9X12	130	146					
PAD-140X160X10X14	140	160					

如有未标注的产品尺寸规格需求, 请与本公司咨询联系。
相应产品请联系我们公司或分销商购买。

Mark: If you have other product requirements, please contact us.
Please contact our company or distributor for the corresponding product.

防尘圈PADN

DUST SEAL PADN



PADN双作用骨架防尘圈用来防止污物进入液压缸，并提高密封效果。压入式安装可防止外径污染物进入；密封唇可与活塞杆密封一起配合作用可提高额外的密封以减少泄漏；防尘唇面向外界，最大限度的将污染物排除在活塞杆外面。

The double-acting skeleton dust ring is used to prevent dirt from entering the hydraulic cylinder and improve the sealing effect. The press-in mounting prevents odour contaminants from entering; the sealing lip can cooperate with the piston rod seal to increase the extra seal to reduce leakage; the dust lip faces the outside, maximizing the removal of contaminants from the piston rod.

技术参数

- ※ 工作温度：-40℃~+110℃
- ※ 工作速度：≤1.0m/s
- ※ 材 料：聚氨酯和金属

PADN防尘密封件主要特点

- ※ 加强加厚的骨架设计，稳定性更高，且安装不变形；
- ※ 密封唇带泄油口，防止困油带出防尘圈。

安装要求

- ※ 此类防尘圈外径稍大，可保证安装后在沟槽内形成一个可靠的紧配合。应避免防尘圈唇口与销轴孔眼或其它连接元件相接触。

Technical Parameters

- ※ Working temperature: -40℃~+110℃
- ※ Working speed: ≤1.0m/s
- ※ Materials: Polyurethane and metal

PADN Dust Seal Main Features

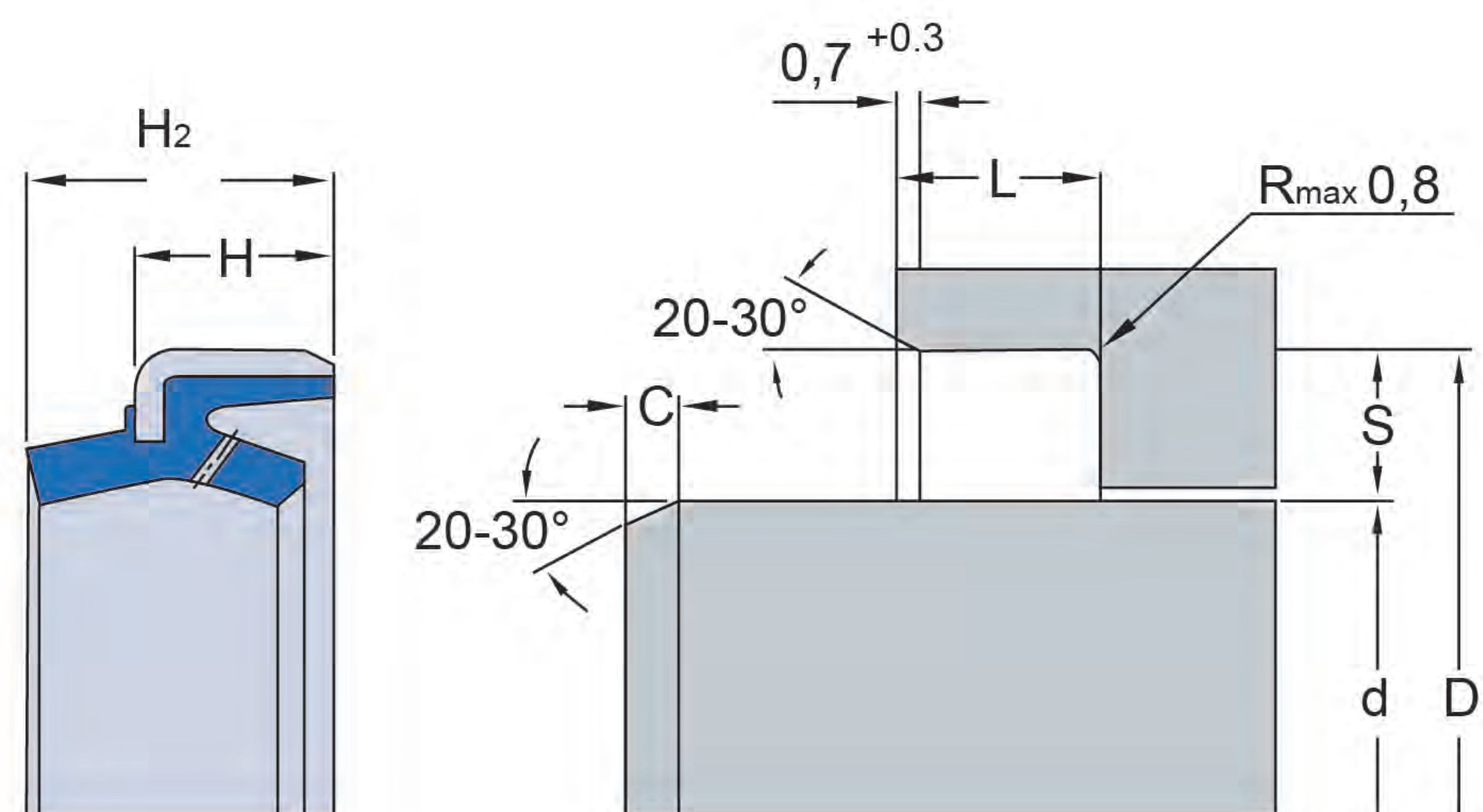
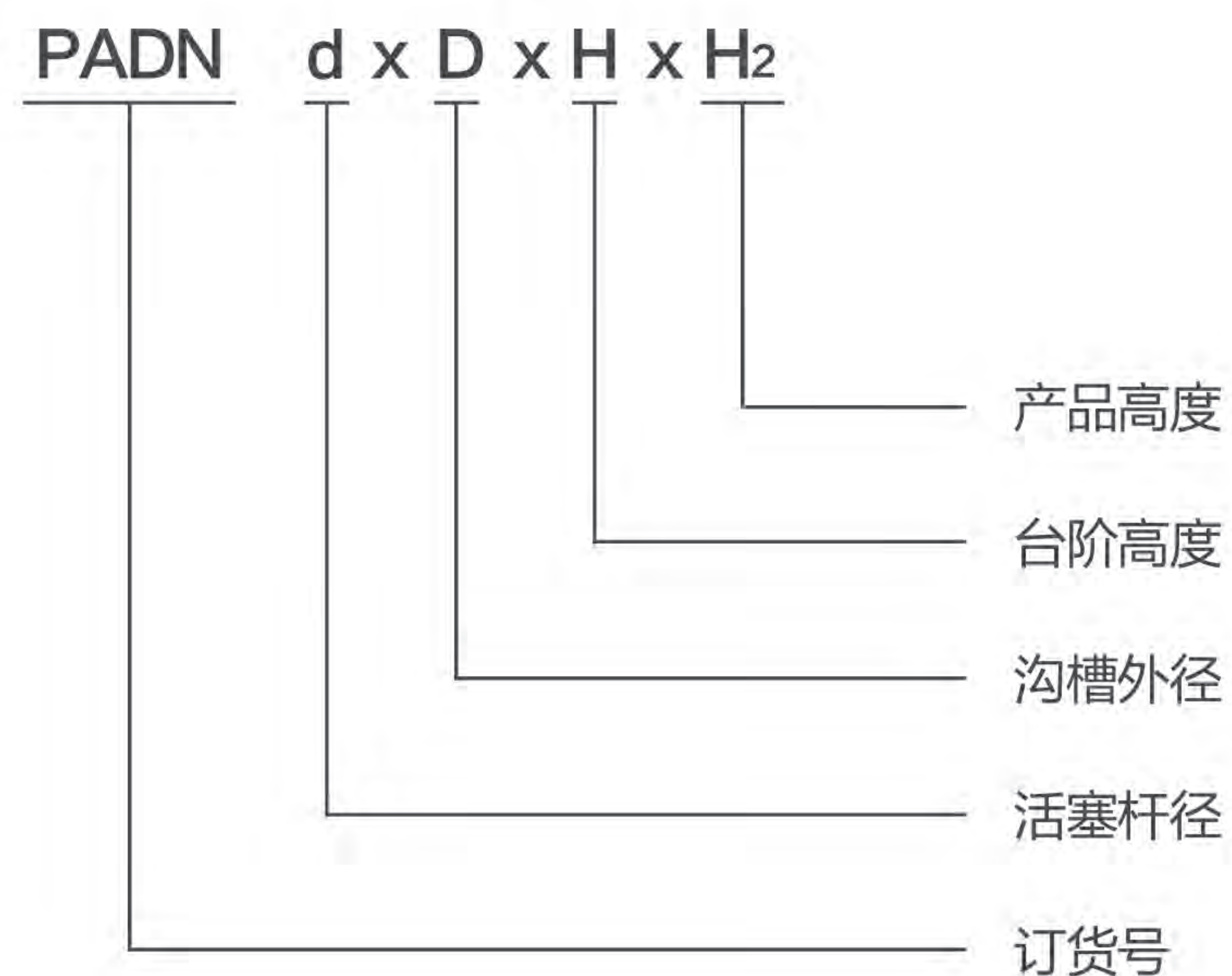
- ※ Strengthen the thickened skeleton design makes stability stronger and no deformation during installation.
- ※ The Sealing lip with a drain port to prevent oil from getting out of the dust ring

Installation Requirements

- ※ This type of dust ring has a slightly larger outer diameter, and it ensures a reliable tight fit in the groove after installation. The wiper lip should be protected from contact with pin holes or other connecting elements.

订货号标注方法:

Order number labeling method:



PADN型标准规格表 (单位: mm)

PADN type standard specification sheet (unit: mm)

订货号	d f7	D H8	L +/-0.25	S	C min	H	H ₂
PADN-40X52X7X10	40	52	7.5	6	4	7	10
PADN-45X57X7X10	45	57					
PADN-50X62X7X10	50	62					
PADN-55X69X8X11	55	69	8.5	7	5	8	11
PADN-60X74X8X11	60	74					
PADN-65X79X8X11	65	79					
PADN-70X84X8X11	70	84					
PADN-75X89X8X11	75	89					
PADN-80X94X8X11	80	94					
PADN-85X99X8X11	85	99	9.5	8	7	9	12
PADN-90X104X8X11	90	104					
PADN-95X109X8X11	95	109					
PADN-100X114X8X11	100	114					
PADN-105X121X9X12	105	121					
PADN-110X126X9X12	110	126					
PADN-115X131X9X12	115	131	10.5	10	8	10	14
PADN-120X136X9X12	120	136					
PADN-130X146X9X12	130	146					
PADN-140X160X10X14	140	160					

如有未标注的产品尺寸规格需求, 请与本公司咨询联系。
相应产品请联系我们公司或分销商购买。

Mark: If you have other product requirements, please contact us.
Please contact our company or distributor for the corresponding product.

主油封HRN

ROD SEAL HRN



技术参数

- ※ 工作温度: $-35^{\circ}\text{C} \sim +110^{\circ}\text{C}$ (依据材料不同而不同)
- ※ 工作速度: $\leq 0.5\text{m/s}$
- ※ 工作压力: $\leq 40\text{MPa}$
- ※ 工作介质: 液压油 (矿物油基)
- ※ 材 料: 唯万自主研发的聚氨酯

HRN密封件主要特点

- ※ 加大了唇口过盈量, 可弥补油缸产生的磨损;
- ※ 采用高弹材料, 跟随性更好;
- ※ 唇口带泄压槽, 可防止困油。

安装要求

- ※ 这类密封应有轴向间隙。为了避免损坏唇口, 安装时不要在锐边上拉动。对维修油缸, 一定要清洗好沟槽底部的污物和锈斑, 以防外侧发生渗油。在更换密封的同时, 检查下油缸导向元件 (或无油轴承), 确保没有太大的磨损, 在合理的范围之内。另外检查维修油缸的活塞杆部件是否有脱铬, 碰伤等现象, 以免损坏密封唇口。



HRN是一种聚氨酯材料唇形密封件。它可以用在普通橡胶或织物增强橡胶的性能达不到要求的各种场合。具有优异的耐磨损性能, 优秀的抗挤出性能, 低压变, 对冲击载荷和压力峰值不敏感, 适用于恶劣的工况环境中。且容易安装。

HRN is a polyurethane material lip seal. It can be used in a variety of applications where the performance of ordinary rubber or fabric reinforced rubber is not satisfactory. It has excellent wear resistance, excellent extrusion resistance, low pressure, and is not sensitive to impact loads and pressure peaks. It is suitable for use in harsh working conditions. Very easy to install.

Technical Parameters

- ※ Working temperature: $-35^{\circ}\text{C} \sim +100^{\circ}\text{C}$
(depending on the material)
- ※ Working speed: $\leq 0.5\text{m/s}$
- ※ Working pressure: $\leq 40\text{MPa}$
- ※ Working medium: hydraulic oil (mineral oil base)
- ※ Materials: Weiwan self develop Polyurethane

HRN Seal Main Features

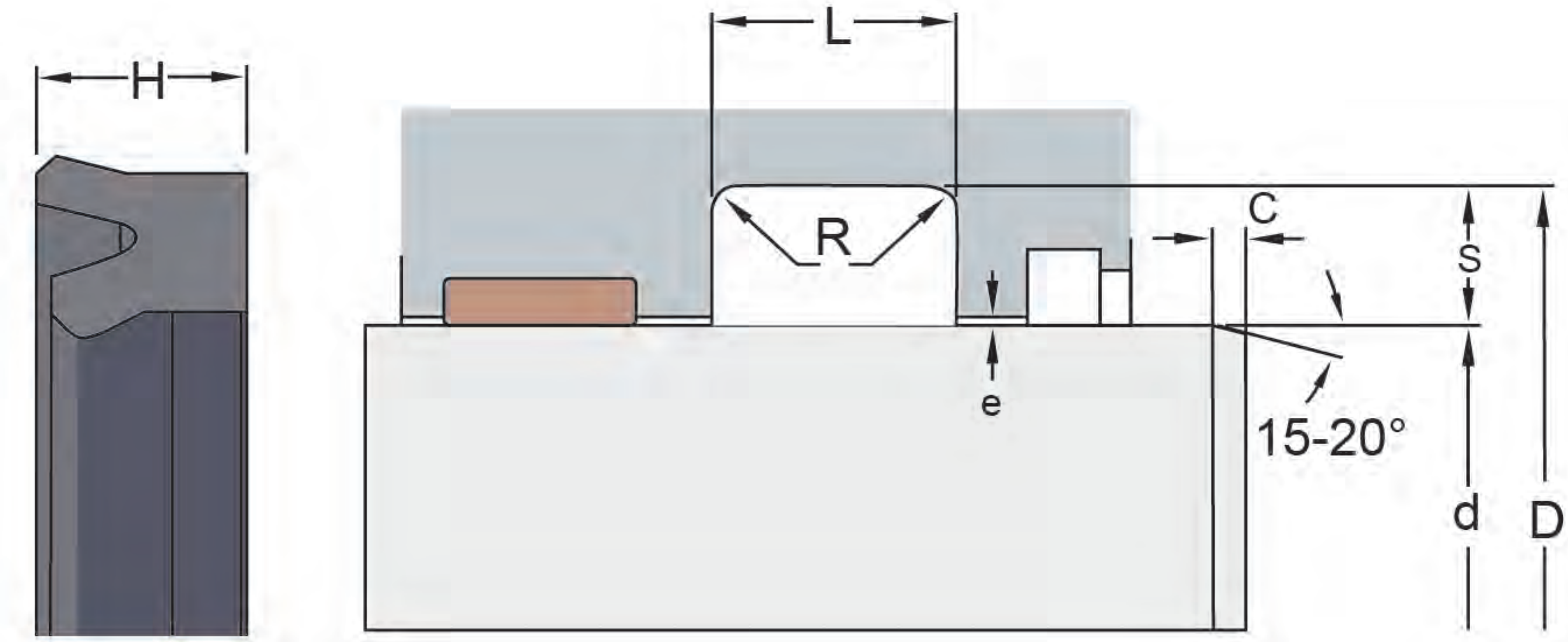
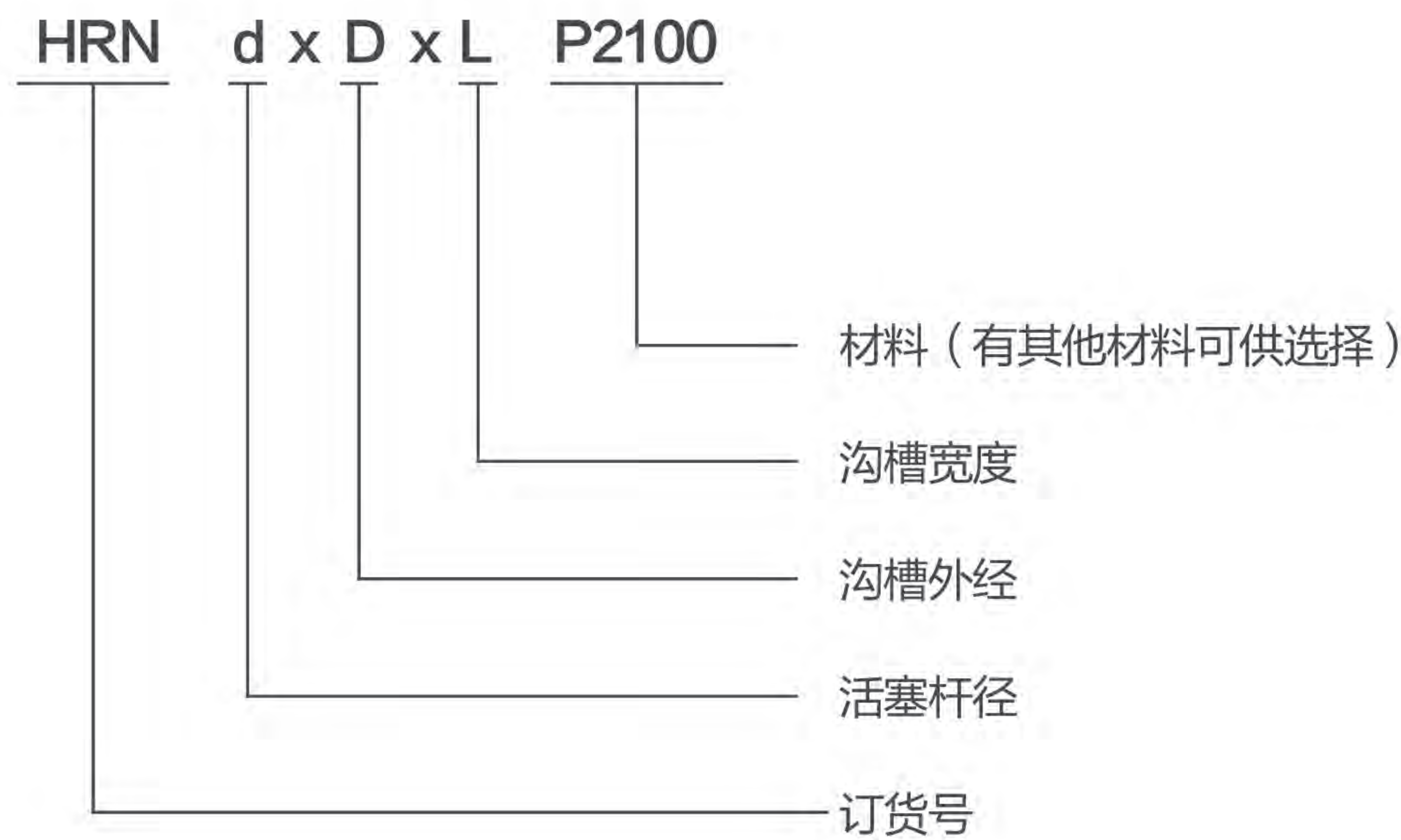
- ※ Increase the amount of lip interference, which can compensate for the wear caused by the cylinder;
- ※ High elastic material, good resilience
- ※ The lip has a pressure relief groove to prevent oil trapping

Installation Requirements

- ※ This type of seal should have an axial gap. To avoid damage to the lip, do not pull on the sharp edge during installation. For the maintenance cylinder, be sure to clean the dirt and rust on the bottom of the groove to prevent oil leakage on the outside. While replacing the seal, check the lower cylinder guide element (or oil-free bearing) to ensure that there is not much wear and tear, within reasonable limits. In addition, check the piston rod parts of the maintenance cylinder for chrome removal, bumping, etc., so as not to damage the sealing lip.

订货号标注方法:

Order number labeling method:



HRN型标准规格表 (单位: mm)

HRN type standard specification sheet (unit: mm)

订货号	d f8	D H10	L +0.2	H
HRN-50X65X10 P2100	50	65	10	9
HRN-55X70X10 P2100	55	70	10	9
HRN-60X75X10 P2100	60	75	10	9
HRN-65X80X10 P2100	65	80	10	9
HRN-70X85X10 P2100	70	85	10	9
HRN 75X90X10 P2100	75	90	10	9
HRN 80X95X10 P2100	80	95	10	9
HRN 85X100X10 P2100	85	100	10	9
HRN 90X105X10 P2100	90	105	10	9
HRN 95X110X10 P2100	95	110	10	9
HRN 100X115X10 P2100	100	115	10	9
HRN 105X120X10 P2100	105	120	10	9
HRN 110X125X10 P2100	110	125	10	9
HRN-115X130X10 P2100	115	130	10	9
HRN-120X135X10 P2100	120	135	10	9
HRN-50X63X11 P2100	50	63	11	10
HRN-55X68X11 P2100	55	68	11	10
HRN-60X73X11 P2100	60	73	11	10
HRN-65X78X11 P2100	65	78	11	10
HRN-70X83X11 P2100	70	83	11	10
HRN-75X88X11 P2100	75	88	11	10
HRN 80X93X11 P2100	80	93	11	10
HRN 80X95X11 P2100	80	95	11	10
HRN 85X100X11 P2100	85	100	11	10
HRN 90X105X11 P2100	90	105	11	10
HRN 95X110X11 P2100	95	110	11	10
HRN 100X115X11 P2100	100	115	11	10

订货号	d f8	D H10	L +0.2	H
HRN 105X120X11 P2100	105	120	11	10
HRN 110X125X11 P2100	110	125	11	10
HRN 110X130X11 P2100	110	130	11	10
HRN-50X60X7 P2100	50	60	7	6
HRN-55X65X7 P2100	55	65	7	6
HRN-60X70X7 P2100	60	70	7	6
HRN-65X75X7 P2100	65	75	7	6
HRN-70X80X7 P2100	70	80	7	6
HRN-75X85X7 P2100	75	85	7	6
HRN 80X90X7 P2100	80	90	7	6
HRN-55X65X9 P2100	55	65	9	8
HRN-60X70X9 P2100	60	70	9	8
HRN-65X75X9 P2100	65	75	9	8
HRN 80X90X9 P2100	80	90	9	8
HRN 80X100X13 P2100	80	100	13	12
HRN 85X105X13 P2100	85	105	13	12
HRN 90X110X13 P2100	90	110	13	12
HRN 95X115X13 P2100	95	115	13	12
HRN 100X120X13 P2100	100	120	13	12
HRN 105X125X13 P2100	105	125	13	12
HRN-115X135X13 P2100	115	135	13	12
HRN-120X140X13 P2100	120	140	13	12
HRN-100X120X16 P2100	100	120	16	15
HRN-105X125X16 P2100	105	125	16	15
HRN-120X140X16 P2100	120	140	16	15
HRN-115X135X17 P2100	115	135	17	16

主油封 ROD SEAL

如有未标注的产品尺寸规格需求, 请与本公司咨询联系。
相应产品请联系我们公司或分销商购买。

Mark: If you have other product requirements, please contact us.
Please contact our company or distributor for the corresponding product.

主油封PTB

ROD SEAL PTB



技术参数

- ※ 工作温度: $-30^{\circ}\text{C} \sim +100^{\circ}\text{C}$ (依据材料不同而不同)
- ※ 工作速度: $\leq 1\text{m/s}$
- ※ 工作压力: $\leq 40\text{MPa}$
- ※ 工作介质: 液压油 (矿物油基)
- ※ 材 料: NBR+聚氨酯

PTB密封件主要特点

- ※ 对温度不敏感;
- ※ 高低压下密封效果都很好;
- ※ 可弥补活塞杆或沟槽的轻微损伤或磨损;
- ※ 特别适合维修油缸的密封。

安装要求

- ※ 这类密封应有轴向间隙。为了避免损坏唇口, 安装时不要在锐边上拉动。对维修油缸, 一定要清洗好沟槽底部的污物和锈斑, 以防外侧发生渗油。在更换密封的同时, 检查下油缸导向元件 (或无油轴承), 确保没有太大的磨损, 在合理的范围之内。另外检查维修油缸的活塞杆部件是否有脱铬, 碰伤等现象, 以免损坏密封唇口。



PTB是唇形密封进步发展的结果。它兼有高弹性星形圈和唇形密封材料耐磨的优点。星形圈保证了密封唇口在低压或真空条件下的预压缩量, 这对密封性能是很必要的。密封力基本与温度变化无关, 即使发生某种程度的磨损也会保证必要的预压缩量。唇口由于系统压力的增加而负载, 这种系统压力通过受压变形的星形圈传递到密封唇上。

PTB is the result of the progressive development of lip seals. It combines the advantages of a high-elastic star ring and a lip-shaped sealing material. The star ring guarantees the pre-compression of the sealing lip under low pressure or vacuum conditions, which is necessary for sealing performance. The sealing force is basically independent of temperature changes, and even a certain degree of wear will ensure the necessary amount of pre-compression. The lip is loaded by an increase in system pressure which is transmitted to the sealing lip by the pressure-deformed star ring.

Technical Parameters

- ※ Working temperature: $-30^{\circ}\text{C} \sim +100^{\circ}\text{C}$
(depending on the material)
- ※ Working speed: $\leq 1\text{m/s}$
- ※ Working pressure: $\leq 40\text{MPa}$
- ※ Working medium: hydraulic oil (mineral oil base)
- ※ Materials: NBR+PU

PTB Seal Main Features

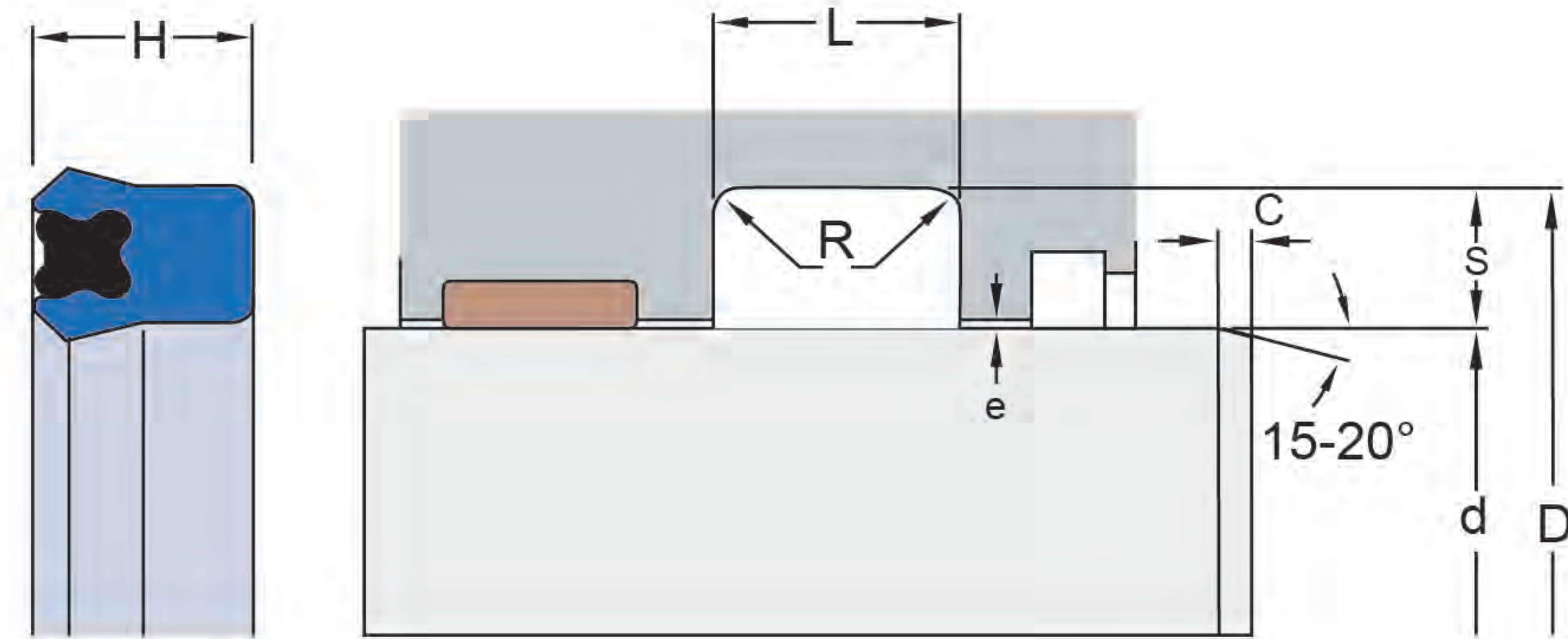
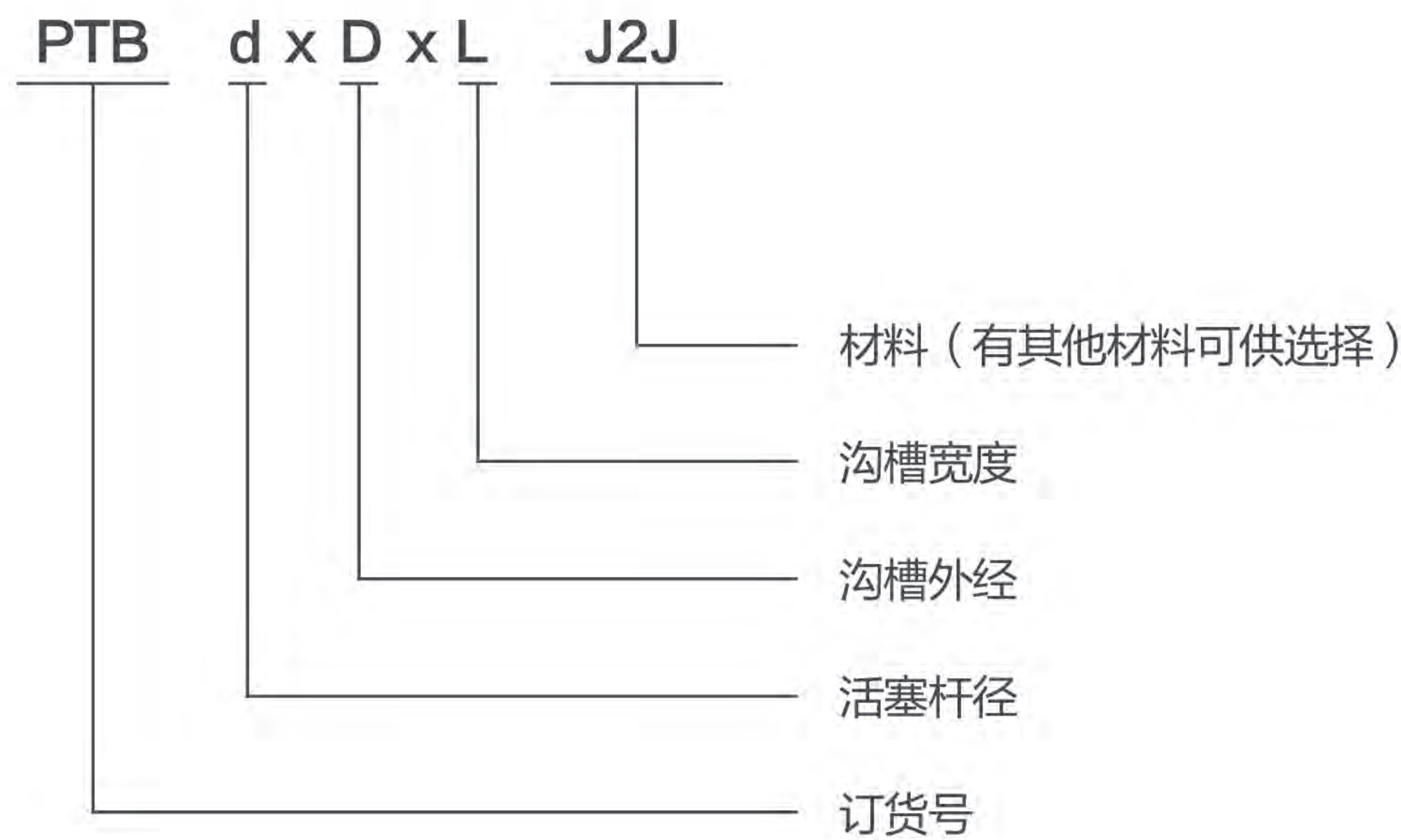
- ※ Not sensitive to temperature;
- ※ The sealing effect is good under high and low pressure;
- ※ Can compensate for minor damage or wear on the piston rod or groove
- ※ Particularly suitable for repairing the seal of the cylinder.

Installation Requirements

- ※ This type of seal should have an axial gap. To avoid damage to the lip, do not pull on the sharp edge during installation. For the maintenance cylinder, be sure to clean the dirt and rust on the bottom of the groove to prevent oil leakage on the outside. While replacing the seal, check the lower cylinder guide element (or oil-free bearing) to ensure that there is not much wear and tear, within reasonable limits. In addition, check the piston rod parts of the maintenance cylinder for chrome removal, bumping, etc., so as not to damage the sealing lip.

订货号标注方法:

Order number labeling method:



PTB型标准规格表 (单位: mm)

PTB type standard specification sheet (unit: mm)

订货号	d h9	D H9	L +0.2	H
PTB-30X45X9.9-J2J	30	45	9.9	9
PTB-35X45X8-J2J	35	45	8	7
PTB-40X50X8-J2J	40	50	8	7
PTB-45X55X8-J2J	45	55	8	7
PTB-45X65X13.2-J2J	45	65	13.2	12
PTB-50X60X6.6-J2J	50	60	6.6	6
PTB-50X60X8.8-J2J	50	60	8.8	8
PTB-50X63X11-J2J	50	63	11	10
PTB-50X65X9.9-J2J	50	65	9.9	9
PTB-50X70X13.2-J2J	50	70	13.2	12
PTB-55X65X6.6-J2J	55	65	6.6	6
PTB-55X65X8.8-J2J	55	65	8.8	8
PTB-55X68X11-J2J	55	68	11	10
PTB-55X70X9.9-J2J	55	70	9.9	9
PTB-55X75X13.2-J2J	55	75	13.2	12
PTB-60X70X6.6-J2J	60	70	6.6	6
PTB-60X70X8.8-J2J	60	70	8.8	8
PTB-60X73X11-J2J	60	73	11	10
PTB-60X75X11-J2J	60	75	11	10
PTB-60X75X9.9-J2J	60	75	9.9	9
PTB-60X80X13.2-J2J	60	80	13.2	12
PTB-65X75X6.6-J2J	65	75	6.6	6
PTB-65X75X8.8-J2J	65	75	8.8	8
PTB-65X78X11-J2J	65	78	11	10
PTB-65X80X9.9-J2J	65	80	9.9	9
PTB-65X85X13.2-J2J	65	85	13.2	12

订货号	d h9	D H9	L +0.2	H
PTB-70X80X11-J2J	70	80	11	10
PTB-70X80X6.6-J2J	70	80	6.6	6
PTB-70X83X11-J2J	70	83	11	10
PTB-70X85X11-J2J	70	85	11	10
PTB-70X85X9.9-J2J	70	85	9.9	9
PTB-70X90X13.2-J2J	70	90	13.2	12
PTB-75X85X6.6-J2J	75	85	6.6	6
PTB-75X88X11-J2J	75	88	11	10
PTB-75X90X11-J2J	75	90	11	10
PTB-75X90X9.9-J2J	75	90	9.9	9
PTB-75X95X13.2-J2J	75	95	13.2	12
PTB-80X100X13.2-J2J	80	100	13.2	12
PTB-80X90X6.6-J2J	80	90	6.6	6
PTB-80X93X11-J2J	80	93	11	10
PTB-80X95X11-J2J	80	95	11	10
PTB-80X95X9.9-J2J	80	95	9.9	9
PTB-85X100X11-J2J	85	100	11	10
PTB-85X100X9.9-J2J	85	100	9.9	9
PTB-85X105X13.2-J2J	85	105	13.2	12
PTB-90X105X11-J2J	90	105	11	10
PTB-90X105X9.9-J2J	90	105	9.9	9
PTB-90X110X13.2-J2J	90	110	13.2	12
PTB-95X110X11-J2J	95	110	11	10
PTB-95X110X13.2-J2J	95	110	13.2	12
PTB-95X110X9.9-J2J	95	110	9.9	9
PTB-95X115X13.2-J2J	95	115	13.2	12

订货号	d h9	D H9	L +0.2	H
PTB-100X115X11-J2J	100	115	11	10
PTB-100X115X9.9-J2J	100	115	9.9	9
PTB-100X120X13.2-J2J	100	120	13.2	12
PTB-100X120X16-J2J	100	120	16	15
PTB-105X120X11-J2J	105	120	11	10
PTB-105X120X9.9-J2J	105	120	9.9	9
PTB-105X125X13.2-J2J	105	125	13.2	12
PTB-105X125X16.5-J2J	105	125	16.5	15
PTB-110X125X11-J2J	110	125	11	10
PTB-110X125X9.9-J2J	110	125	9.9	9
PTB-110X130X11-J2J	110	130	11	10
PTB-110X130X13.2-J2J	110	130	13.2	12
PTB-110X130X16-J2J	110	130	16	15
PTB-115X130X11-J2J	115	130	11	10
PTB-115X130X9.9-J2J	115	130	9.9	9
PTB-115X135X13.2-J2J	115	135	13.2	12
PTB-118X133X9.9-J2J	118	133	9.9	9
PTB-120X135X9.9-J2J	120	135	9.9	9
PTB-120X140X11-J2J	120	140	11	10
PTB-120X140X13.2-J2J	120	140	13.2	12
PTB-120X140X16.5-J2J	120	140	16.5	15
PTB-125X140X9.9-J2J	125	140	9.9	9
PTB-130X145X9.9-J2J	130	145	9.9	9
PTB-130X150X13.2-J2J	130	150	13.2	12
PTB-130X150X17.6-J2J	130	150	17.6	16
PTB-140X160X13.2-J2J	140	160	13.2	12

如有未标注的产品尺寸规格需求, 请与本公司咨询联系。
相应产品请联系我们公司或分销商购买。

Mark: If you have other product requirements, please contact us.
Please contact our company or distributor for the corresponding product.

主油封ZBR

ROD SEAL ZBR



技术参数

- ※ 工作温度: $-30^{\circ}\text{C} \sim +110^{\circ}\text{C}$
 $-60^{\circ}\text{C} \sim +130^{\circ}\text{C}$ (极限温度范围)
- ※ 工作速度: $\leq 1\text{m/s}$
- ※ 工作压力: $\leq 40\text{MPa}$
- ※ 工作介质: 液压油 (矿物油基)
- ※ 材 料: 聚氨酯

ZBR密封件主要特点

- ※ 双唇密封;
- ※ 厚实的外唇设计, 通过外唇径向挤压, 实现良好的外唇密封同时兼具良好的内唇密封, 且摩擦力降低, 产品寿命长;
- ※ 产品在沟槽中工作时更稳定;
- ※ 产品一次性注塑成型, 稳定性高。

安装要求

- ※ 这类密封应有轴向间隙。为了避免损坏唇口, 安装时不要在锐边上拉动。对维修油缸, 一定要清洗好沟槽底部的污物和锈斑, 以防外侧发生渗油。在更换密封的同时, 检查下油缸导向元件 (或无油轴承), 确保没有太大的磨损, 在合理的范围之内。另外检查维修油缸的活塞杆部件是否有脱铬, 碰伤等现象, 以免损坏密封唇口。



ZBR活塞杆密封是一种有两道密封唇且在外径处为紧配合的唇形密封。由于两道唇口之间有额外的润滑剂, 故大大的防止干摩擦和磨损, 且产品工作时在沟槽内更稳定。采用高弹聚氨酯材料, 产品耐磨性好, 使用寿命更长。安装方便。

The ZBR piston rod seal is a lip seal with two sealing lips and a tight fit at the outer diameter. Due to the extra lubricant between the two lips, dry friction and wear are greatly prevented, and the product is more stable in the groove during operation. Made of high-elastic polyurethane material, the product has good wear resistance and long service life. Easy to install.

Technical Parameters

- ※ Working temperature: $-30^{\circ}\text{C} \sim +110^{\circ}\text{C}$
(depending on the material)
- ※ Working speed: $\leq 1\text{m/ss}$
- ※ Working pressure: $\leq 40\text{MP}$
- ※ Working medium: hydraulic oil (mineral oil base)
- ※ Materials: PU

ZBR Seal Main Features

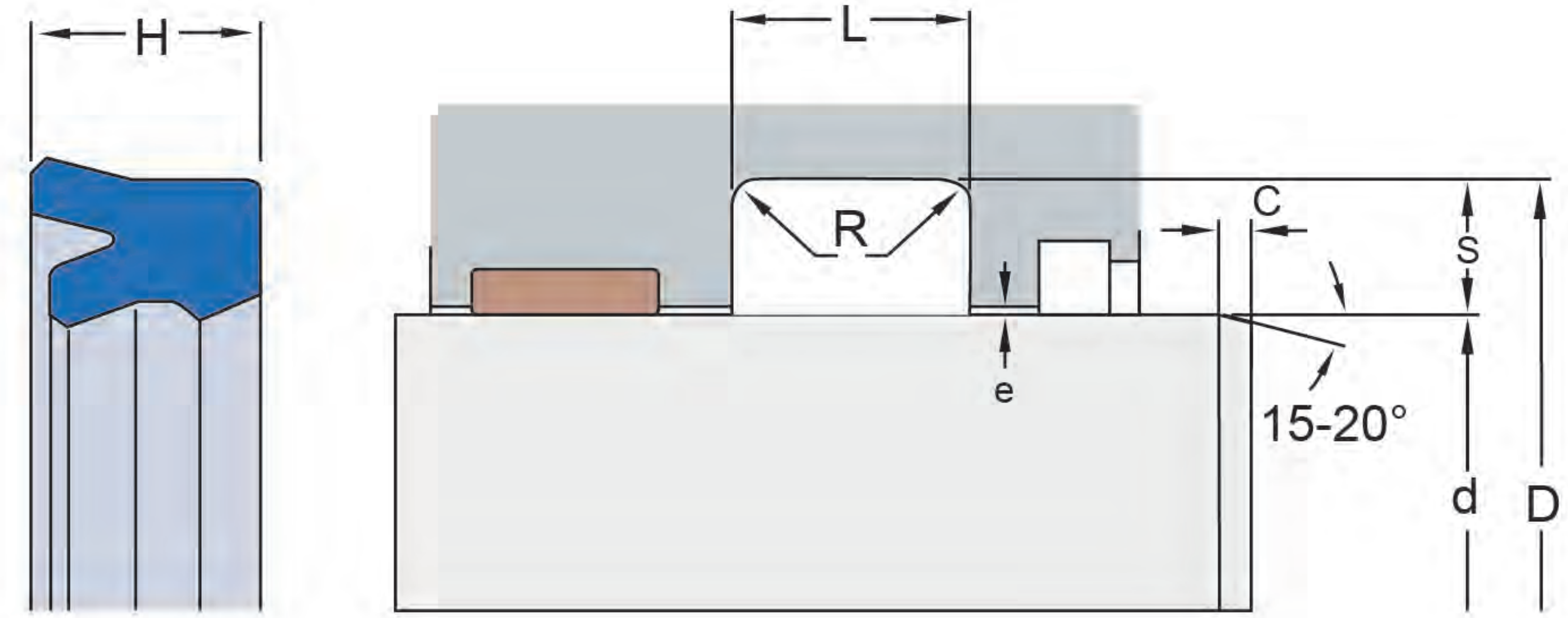
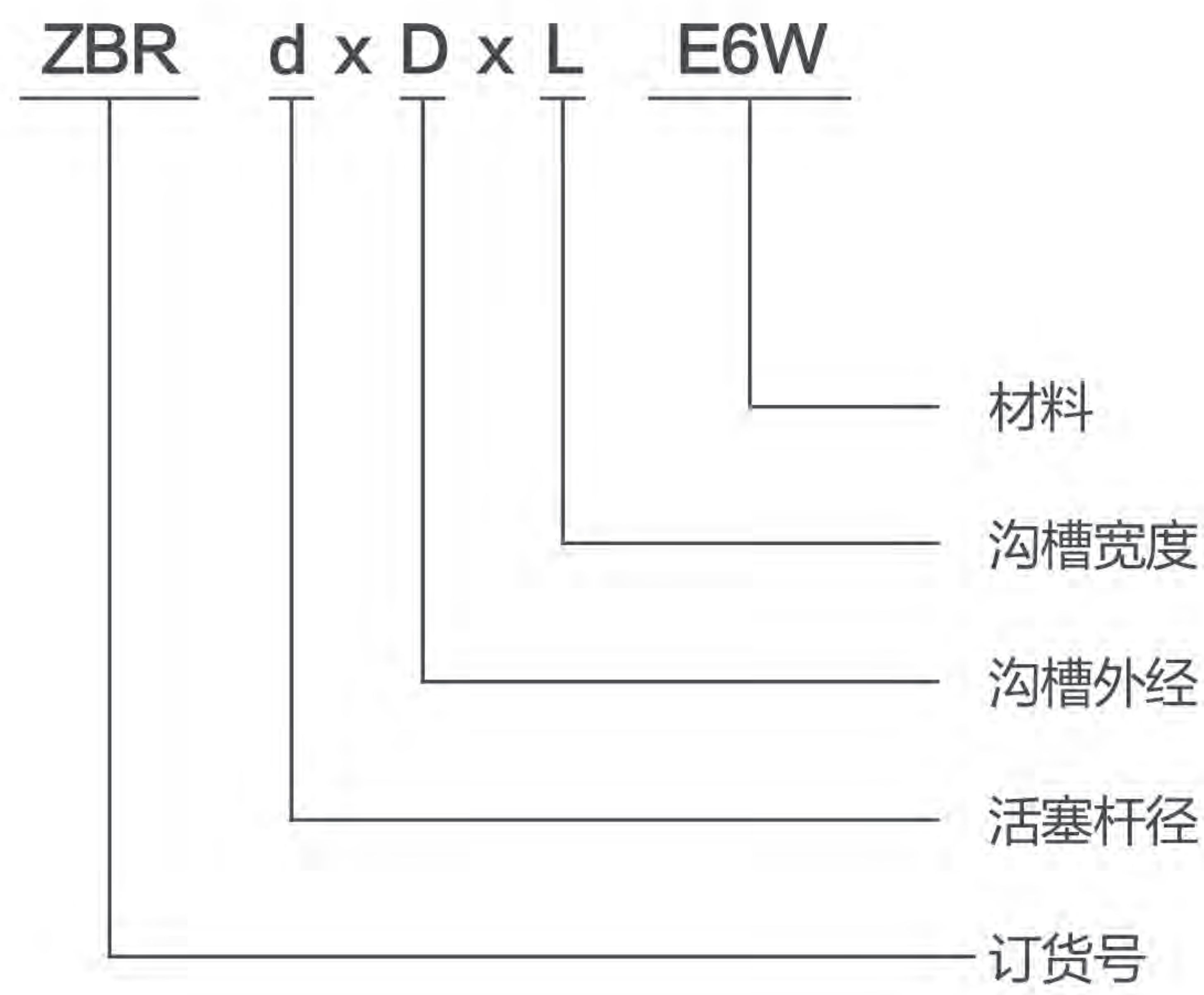
- ※ Double lip seal;
- ※ The thick outer lip design is radially extruded by the outer lip to achieve a good outer lip seal while having a good inner lip seal, and the friction is reduced, and the product has a long service life;
- ※ The product is more stable when working in the trench
- ※ The product is injection molded at one time with high stability;

Installation Requirements

- ※ This type of seal should have an axial gap. To avoid damage to the lip, do not pull on the sharp edge during installation. For the maintenance cylinder, be sure to clean the dirt and rust on the bottom of the groove to prevent oil leakage on the outside. While replacing the seal, check the lower cylinder guide element (or oil-free bearing) to ensure that there is not much wear and tear, within reasonable limits. In addition, check the piston rod parts of the maintenance cylinder for chrome removal, bumping, etc., so as not to damage the sealing lip.

订货号标注方法:

Order number labeling method:



ZBR型标准规格表 (单位: mm)

ZBR type standard specification sheet (unit: mm)

订货号	d	D	L	H	订货号	d	D	L	H	订货号	d	D	L	H
	f8/h9	H10	+0.2			f8/h9	H10	+0.2			f8/h9	H10	+0.2	
ZBR-28X36X6.4-E6W	28	36	6.4	5.7	ZBR-65X80X10-E6W	65	80	10	9	ZBR-100X120X15.5-E6W	100	120	15.5	14.5
ZBR-32X42X8.3-E6W	32	42	8.3	7.5	ZBR-70X80X7-E6W	70	80	7	6	ZBR-105X120X10-E6W	105	120	10	9
ZBR-40X50X11-E6W	40	50	11	10	ZBR-70X83X11-E6W	70	83	11	10	ZBR-105X120X11-E6W	105	120	11	10
ZBR-40X50X8-E6W	40	50	8	7.3	ZBR-70X85X10-E6W	70	85	10	9	ZBR-105X125X16.5-E6W	105	125	16.5	15
ZBR-45X55X7-E6W	45	55	7	6	ZBR-70X85X11-E6W	70	85	11	10	ZBR-110X125X10.5-E6W	110	125	10.5	9.5
ZBR-45X55X8.3-E6W	45	55	8.3	7.5	ZBR-70X85X12.4-E6W	70	85	12.4	11.4	ZBR-110X125X10-E6W	110	125	10	9
ZBR-45X60X11-E6W	45	60	11	10	ZBR-75X85X7-E6W	75	85	7	6	ZBR-110X125X11-E6W	110	125	11	10
ZBR-45X60X12.5-E6W	45	60	12.5	11.4	ZBR-75X88X11-E6W	75	88	11	10	ZBR-110X130X11-E6W	110	130	11	10
ZBR-50X60X7-E6W	50	60	7	6	ZBR-75X90X10-E6W	75	90	10	9	ZBR-110X130X16.5-E6W	110	130	16.5	15
ZBR-50X60X8.3-E6W	50	60	8.3	7.5	ZBR-75X90X11-E6W	75	90	11	10	ZBR-115X130X10-E6W	115	130	10	9
ZBR-50X63X11-E6W	50	63	11	10	ZBR-80X90X7-E6W	80	90	7	6	ZBR-115X130X11-E6W	115	130	11	10
ZBR-50X65X10-E6W	50	65	10	9	ZBR-80X93X11-E6W	80	93	11	10	ZBR-115X135X13-E6W	115	135	13	12
ZBR-50X65X12.4-E6W	50	65	12.4	11.4	ZBR-80X95X10-E6W	80	95	10	9	ZBR-115X135X13-E6W	115	135	13	12
ZBR-55X65X11-E6W	55	65	11	10	ZBR-80X95X11-E6W	80	95	11	10	ZBR-120X135X10-E6W	120	135	10	9
ZBR-55X65X7-E6W	55	65	7	6	ZBR-80X95X12.4-E6W	80	95	12.4	11.4	ZBR-120X140X13-E6W	120	140	13	12
ZBR-55X65X9-E6W	55	65	9	8	ZBR-85X100X10-E6W	85	100	10	9	ZBR-120X140X16.5-E6W	120	140	16.5	15
ZBR-55X68X11-E6W	55	68	11	10	ZBR-85X100X11-E6W	85	100	11	10	ZBR-125X140X10-E6W	125	140	10	9
ZBR-55X70X10-E6W	55	70	10	9	ZBR-85X100X13-E6W	85	100	13	12	ZBR-125X145X16.5-E6W	125	145	16.5	15
ZBR-55X70X11-E6W	55	70	11	10	ZBR-85X105X13-E6W	85	105	13	12	ZBR-130X145X12-E6W	130	145	12	11
ZBR-55X75X13-E6W	55	75	13	12	ZBR-90X105X10-E6W	90	105	10	9	ZBR-130X145X16.5-E6W	130	145	16.5	15
ZBR-56X71X12.4-E6W	56	71	12.4	11.4	ZBR-90X105X11-E6W	90	105	11	10	ZBR-130X150X16.5-E6W	130	150	16.5	15
ZBR-60X70X11-E6W	60	70	11	10	ZBR-90X105X12.4-E6W	90	105	12.4	11.4	ZBR-140X160X16.5-E6W	140	160	16.5	15
ZBR-60X70X7-E6W	60	70	7	6	ZBR-90X110X13-E6W	90	110	13	12	ZBR-145X165X16.5-E6W	145	165	16.5	15
ZBR-60X73X11-E6W	60	73	11	10	ZBR-95X110X10-E6W	95	110	10	9	ZBR-150X170X16.5-E6W	150	170	16.5	15
ZBR-60X75X10-E6W	60	75	10	9	ZBR-95X110X11-E6W	95	110	11	10	ZBR-160X180X16.5-E6W	160	180	16.5	15
ZBR-63X73X7-E6W	63	73	7	6	ZBR-95X115X13-E6W	95	115	13	12	ZBR-160X185X19.7-E6W	160	185	19.7	18
ZBR-63X78X12.4-E6W	63	78	12.4	11.4	ZBR-100X115X10-E6W	100	115	10	9	ZBR-170X190X16.5-E6W	170	190	16.5	15
ZBR-65X75X13-E6W	65	75	13	12	ZBR-100X115X11-E6W	100	115	11	10	ZBR-190X210X16.5-E6W	190	210	16.5	15
ZBR-65X75X7-E6W	65	75	7	6	ZBR-100X115X13-E6W	100	115	13	12	ZBR-200X220X16.5-E6W	200	220	16.5	15
ZBR-65X78X11-E6W	65	78	11	10	ZBR-100X120X13-E6W	100	120	13	12	ZBR-210X230X16.5-E6W	210	230	16.5	15

如有未标注的产品尺寸规格需求, 请与本公司咨询联系。
相应产品请联系我们公司或分销商购买。

Mark: If you have other product requirements, please contact us.
Please contact our company or distributor for the corresponding product.

主油封S1S

ROD SEAL S1S



技术参数

- ※ 工作温度: $-30^{\circ}\text{C} \sim +110^{\circ}\text{C}$
 $-60^{\circ}\text{C} \sim +130^{\circ}\text{C}$ (极限温度范围)
- ※ 工作速度: $\leq 1\text{m/s}$
- ※ 工作压力: $\leq 40\text{MPa}$
- ※ 工作介质: 液压油 (矿物油基)
- ※ 材 料: 聚氨酯

S1S密封件主要特点

- ※ 密封断面通过FEA分析优化设计, 可提供最长的使用寿命; 最大限度的减少粘滑现象, 减少活塞杆不规则运动和噪音; 提供集中的主要密封唇负载, 有利于活塞杆上润滑油膜厚度的良好控制; 提供非常有效的流体反向泵送能力, 并且在密封件处于较高压力时减少材料应力;
- ※ 作为密封材料开发优化的高级ECOPUR聚氨酯, 在各种介质中提供优异的机械性能, 低磨损和化学稳定性。
- ※ SKF标准型油缸活塞杆密封件, 主要适应于比较新的油缸安装使用。

安装要求

- ※ 这类密封应有轴向间隙。为了避免损坏唇口, 安装时不要在锐边上拉动。对维修油缸, 一定要清洗好沟槽底部的污物和锈斑, 以防外侧发生渗油。在更换密封的同时, 检查下油缸导向元件 (或无油轴承), 确保没有太大的磨损, 在合理的范围之内。另外检查维修油缸的活塞杆部件是否有脱铬, 碰伤等现象, 以免损坏密封唇口。



S1S是一种由ECOPUR制造的单作用杆密封件, 是为了迎接更高要求而开发的一种SKF聚氨酯复合材料。它设计提供最长的使用寿命, 以及出色的密封和泄漏性能。

S1S is a single acting rod seal from ECOPUR. An SKF polyurethane composite developed to meet higher requirements. It is designed to provide the longest life and excellent sealing and leaking performance.

Technical Parameters

- ※ Working temperature: $-30^{\circ}\text{C} \sim +110^{\circ}\text{C}$
 $-60^{\circ}\text{C} \sim +130^{\circ}\text{C}$ (Limit temperature range)
- ※ Working speed: $\leq 1\text{m/s}$
- ※ Working pressure: $\leq 40\text{MPa}$
- ※ Working medium: hydraulic oil (mineral oil base)
- ※ Materials: PU

S1S Seal Main Features

- ※ The sealing section is optimized by FEA analysis to provide the longest service life; minimize stick-slip phenomenon and reduce irregular movement and noise of the piston rod; provide concentrated main sealing lip load, which is beneficial to the thickness of the lubricating oil film on the piston rod. Good control; provides very efficient fluid reverse pumping capability and reduces material stress when the seal is at higher pressure;
- ※ Developed as a sealing material, the advanced ECOPUR polyurethane provides excellent mechanical properties, low wear and chemical stability in a variety of media.
- ※ SKF standard cylinder rod seals are mainly suitable for the installation of newer cylinders.

Installation Requirements

- ※ This type of seal should have an axial gap. To avoid damage to the lip, do not pull on the sharp edge during installation. For the maintenance cylinder, be sure to clean the dirt and rust on the bottom of the groove to prevent oil leakage on the outside. While replacing the seal, check the lower cylinder guide element (or oil-free bearing) to ensure that there is not much wear and tear, within reasonable limits. In addition, check the piston rod parts of the maintenance cylinder for chrome removal, bumping, etc., so as not to damage the sealing lip.