

[www.voneseals.com](http://www.voneseals.com)

# 挖掘机 密封解决方案

SEALING SOLUTION FOR EXCAVATOR

上海唯万密封科技有限公司  
Voneseals Technology(Shanghai)Co.,Ltd.

# 活塞密封HPG

## PISTON SEAL HPG



### 技术参数

- ※ 工作温度:  $-40^{\circ}\text{C} \sim +110^{\circ}\text{C}$
- ※ 工作速度:  $\leq 1.5\text{m/s}$
- ※ 工作压力:  $\leq 50\text{MPa}$  (压力峰值达80MPa)
- ※ 工作介质: 液压油 (矿物油基)
- ※ 材 料: 丁腈橡胶+改性尼龙+填充PTFE

### HPG活塞密封件主要特点

- ※ 标准型挖机油缸用活塞组合密封件;
- ※ 改性PTFE材料耐磨环, 产品更耐磨, 寿命更长;
- ※ 采用高弹, 低压变, 力学性能优异的橡胶弹性体材料, 给滑环提供持久的弹性;

### 安装要求

- ※ 安装沟槽仔细去除毛刺并清洗干净。缸内径入口处应倒角。聚四氟乙烯滑环建议加热安装, 装入沟槽后回缩贴紧弹性体, 防止安装时装切掉。注意挡圈正反面, 防止装反 (挡圈内径处圆弧面侧对准橡胶弹性体台阶处圆弧面一侧安装)。



HPG型活塞密封是一种设计紧凑的双作用活塞密封。由一个聚四氟乙烯滑环, 一个丁腈橡胶弹性体及两个挡圈材料组成。具备极小的起动和运动摩擦力; 极佳的耐高温, 高压载荷特性; 对冲击载荷不敏感等特征。

HPG piston seal is a compact double acting piston seal. It consists of a PTFE slip ring, a nitrile rubber elastomer and two retaining ring materials. With minimal starting and moving friction; excellent high temperature resistance, high pressure load characteristics; insensitive to impact loads.

### Technical Parameters

- ※ Working temperature:  $-40^{\circ}\text{C} \sim +110^{\circ}\text{C}$
- ※ Working speed:  $\leq 1.5\text{m/s}$
- ※ Working pressure:  $\leq 50\text{MPa}$  (pressure peak up to 80MPa)
- ※ Working medium: hydraulic oil (mineral oil base)
- ※ Materials: NBR+NY+PTFE

### HPG Piston Seal Main Features

- ※ Piston combination seal for standard excavator cylinders;
- ※ PTFE material wear ring, the product is more wear-resistant and has a longer service life;
- ※ PTFE material wear ring, the product is more wear-resistant and has a longer service life;

### Installation Requirements

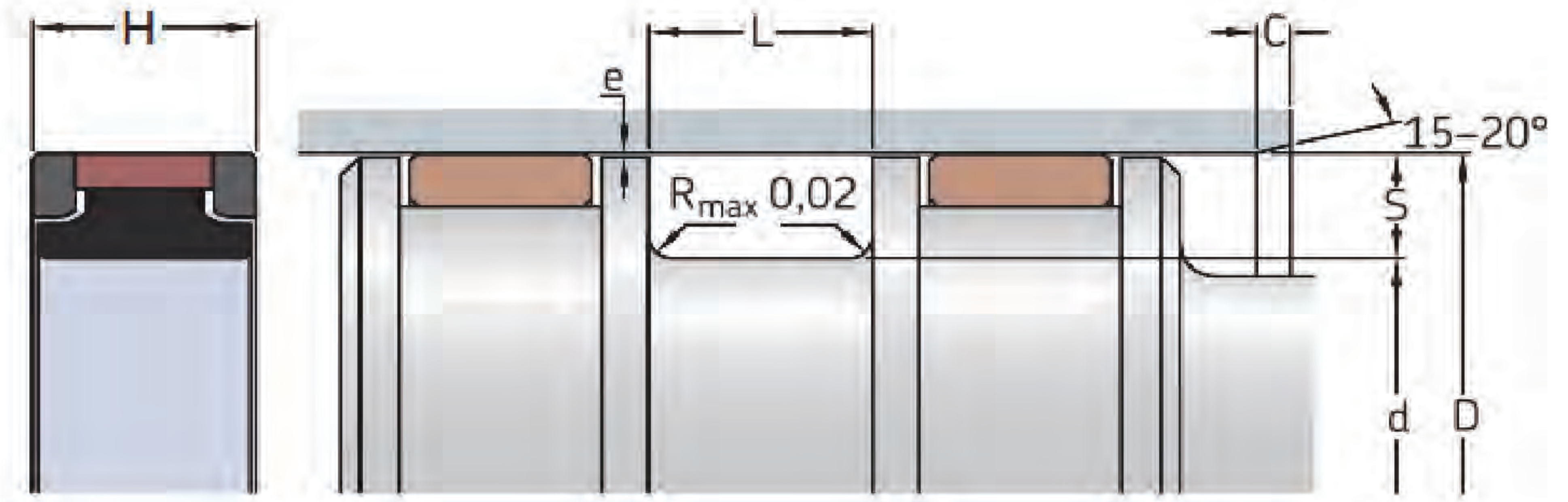
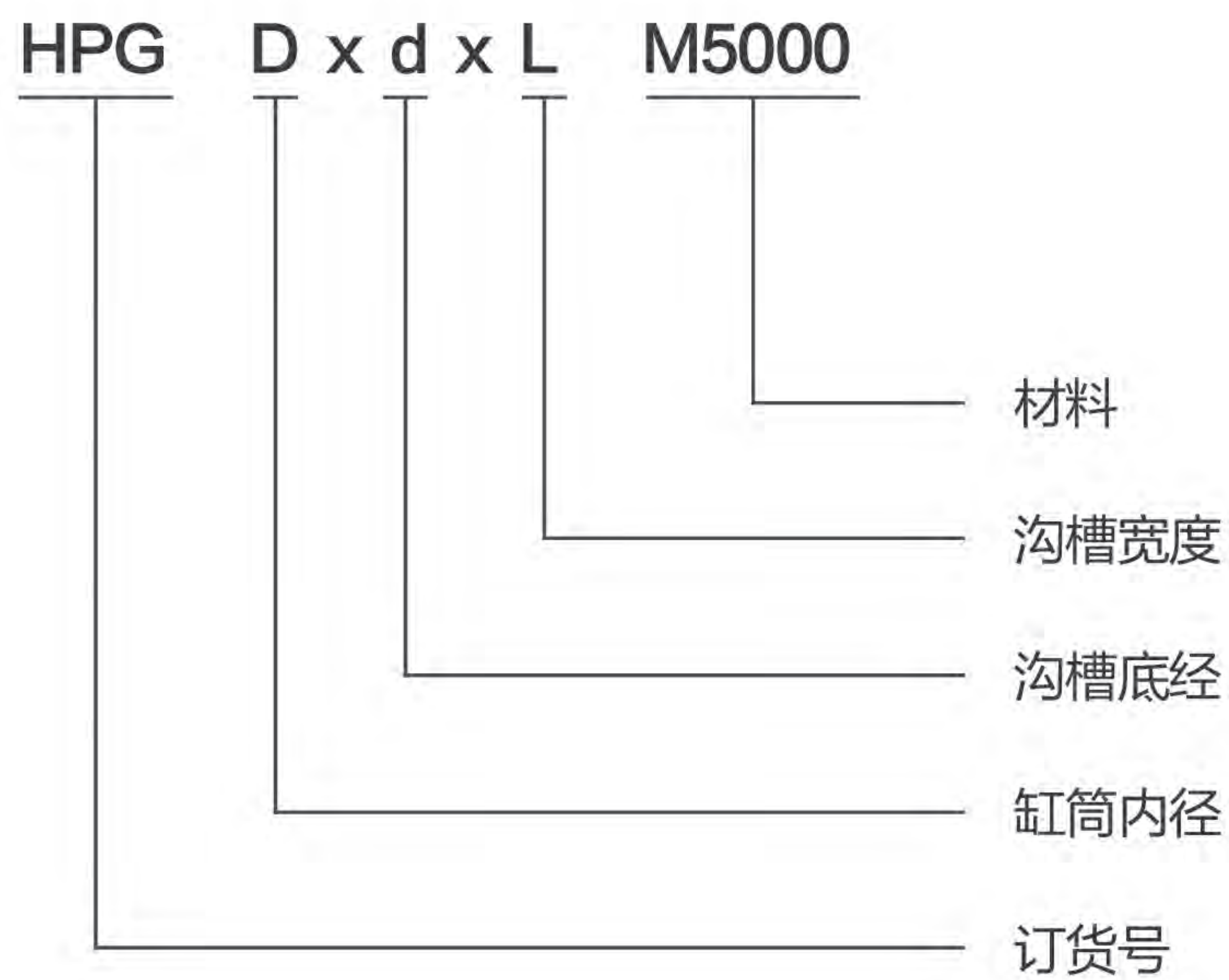
- ※ Install the grooves carefully to clean. The cylinder inner diameter entrance should be chamfered. The PTFE slip ring is recommended for heating installation, and after being placed in the groove, the elastic body is retracted to prevent the installation from being cut off. Pay attention to the front and back of the retaining ring to prevent the reverse (the arc surface side of the inner diameter of the retaining ring is aligned with the side of the arc surface of the rubber elastic step).

为您提供增值的、高性价比的、全面的密封解决方案  
Professional Total Sealing Solution Provider



**订货号标注方法:**

Order number labeling method:



**HPG型标准规格表 (单位: mm)**

HPG type standard specification sheet (unit: mm)

订货号	D H9	d h9	L +0.2	H	C min
HPG 50X36X9 M5000	50	36	9	8.5	4
HPG 55X41X9 M5000	55	41			
HPG 60X46X9 M5000	60	46			
HPG 63X48X11 M5000	63	48	11	10.5	5
HPG 65X50X11 M5000	65	50			
HPG 70X55X11 M5000	70	55			
HPG 75X60X11 M5000	75	60			
HPG 80X65X11 M5000	80	65			
HPG 85X70X11 M5000	85	70			
HPG 90X75X11 M5000	90	75			
HPG 95X80X11 M5000	95	80	12.5	12	5
HPG 100X85X12.5 M5000	100	85			
HPG 105X90X12.5 M5000	105	90			
HPG 110X95X12.5 M5000	110	95			
HPG 115X100X12.5 M5000	115	100			
HPG 120X105X12.5 M5000	120	105			
HPG 125X102X16 M5000	125	102	16	15.5	6.5
HPG 130X107X16 M5000	130	107			
HPG 135X112X16 M5000	135	112			
HPG 140X117X16 M5000	140	117			
HPG 145X122X16 M5000	145	122			
HPG 150X127X16 M5000	150	127			

订货号	D H9	d h9	L +0.2	H	C min
HPG 155X132X16 M5000	155	132	16	15.5	6.5
HPG 160X137X16 M5000	160	137			
HPG 165X142X16 M5000	165	142			
HPG 170X147X16 M5000	170	147			
HPG 175X152X16 M5000	175	152			
HPG 180X157X16 M5000	180	157			
HPG 185X162X16 M5000	185	162			
HPG 190X167X16 M5000	190	167			
HPG 195X172X16 M5000	195	172			
HPG 200X177X16 M5000	200	177			
HPG 205X182X16 M5000	205	182			
HPG 210X187X16 M5000	210	187			
HPG 215X192X16 M5000	215	192			
HPG 220X197X16 M5000	220	197			
HPG 225X202X16 M5000	225	202			
HPG 230X207X16 M5000	230	207			
HPG 240X217X17.5 M5000	240	217	17.5	17	7.5
HPG 250X222X17.5 M5000	250	222			
HPG 260X232X17.5 M5000	260	232			
HPG 270X242X17.5 M5000	270	242			
HPG 280X252X17.5 M5000	280	252			
HPG 300X272X17.5 M5000	300	272			

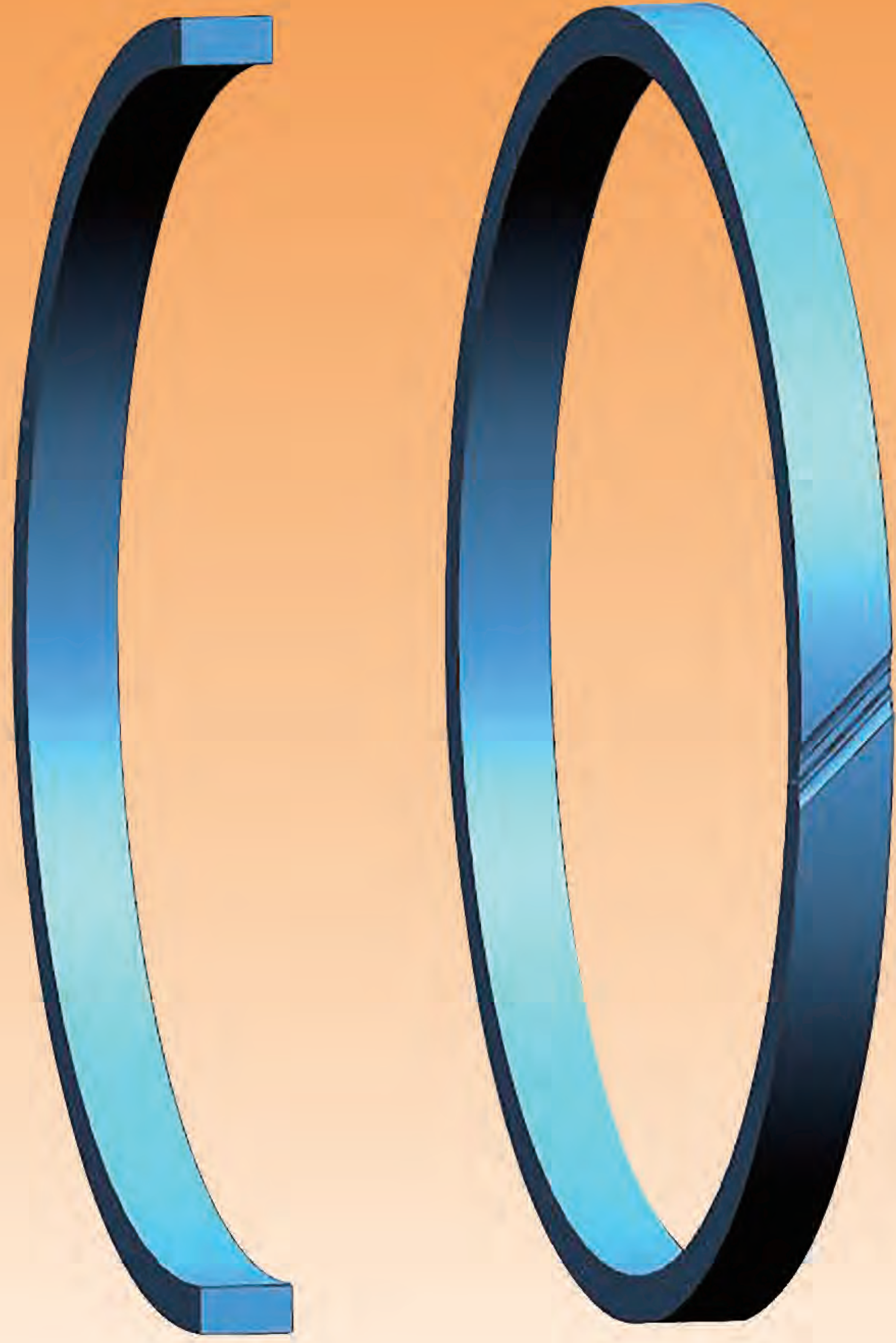
活塞封 PISTON SEAL

如有未标注的产品尺寸规格需求, 请与本公司咨询联系。  
相应产品请联系我们公司或分销商购买。

Mark: If you have other product requirements, please contact us.  
Please contact our company or distributor for the corresponding product.

# 纳污环KZT

## CONTAMI SEAL



### 技术参数

- ※ 工作温度:  $-100^{\circ}\text{C} \sim +200^{\circ}\text{C}$
- ※ 工作速度:  $\leq 5\text{m/s}$
- ※ 材 料: 填充PTFE

### KZT纳污环主要特点

- ※ 采用改性PTFE材料, 产品更耐磨, 寿命更长;
- ※ 采用四氟管料数控车削加工, 尺寸更精准, 整环好安装。

### 安装要求

- ※ 安装沟槽仔细去除毛刺并清洗干净。产品可进行向内向外(活塞用KZT向内, 活塞杆用KZT向外)弯折, 使其装入沟槽后更能紧贴沟槽, 防止翘起安装时装切掉。



KZT纳污环一般安装在活塞两端或导向套靠油侧或靠近防尘圈安装, 起到过滤系统液压油中杂质或金属铁屑的作用。同时能起到保护密封件防止焦烧损坏。

KZT Contami Seal always installed at the two ends of the piston or the guide sleeve is placed on the oil side or close to the dust ring, which acts as a filter system for the impurities in the hydraulic oil or metal iron filings. It use to protect the seal from scorch damage in the same time.

### Technical Parameters

- ※ Working temperature:  $-100^{\circ}\text{C} \sim +200^{\circ}\text{C}$
- ※ Working speed:  $\leq 5\text{m/s}$
- ※ Materials: PTFE

### KZT Contami Seal Main Features

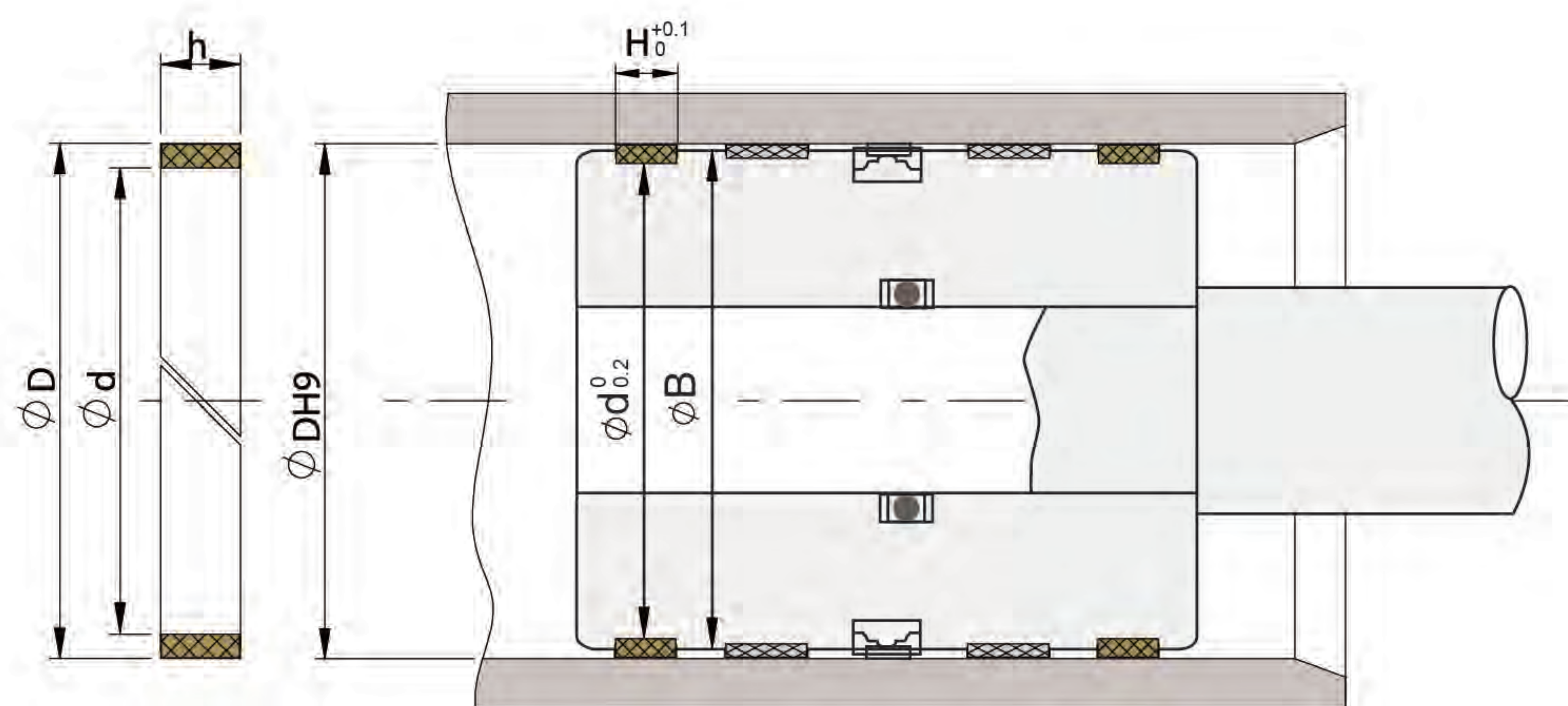
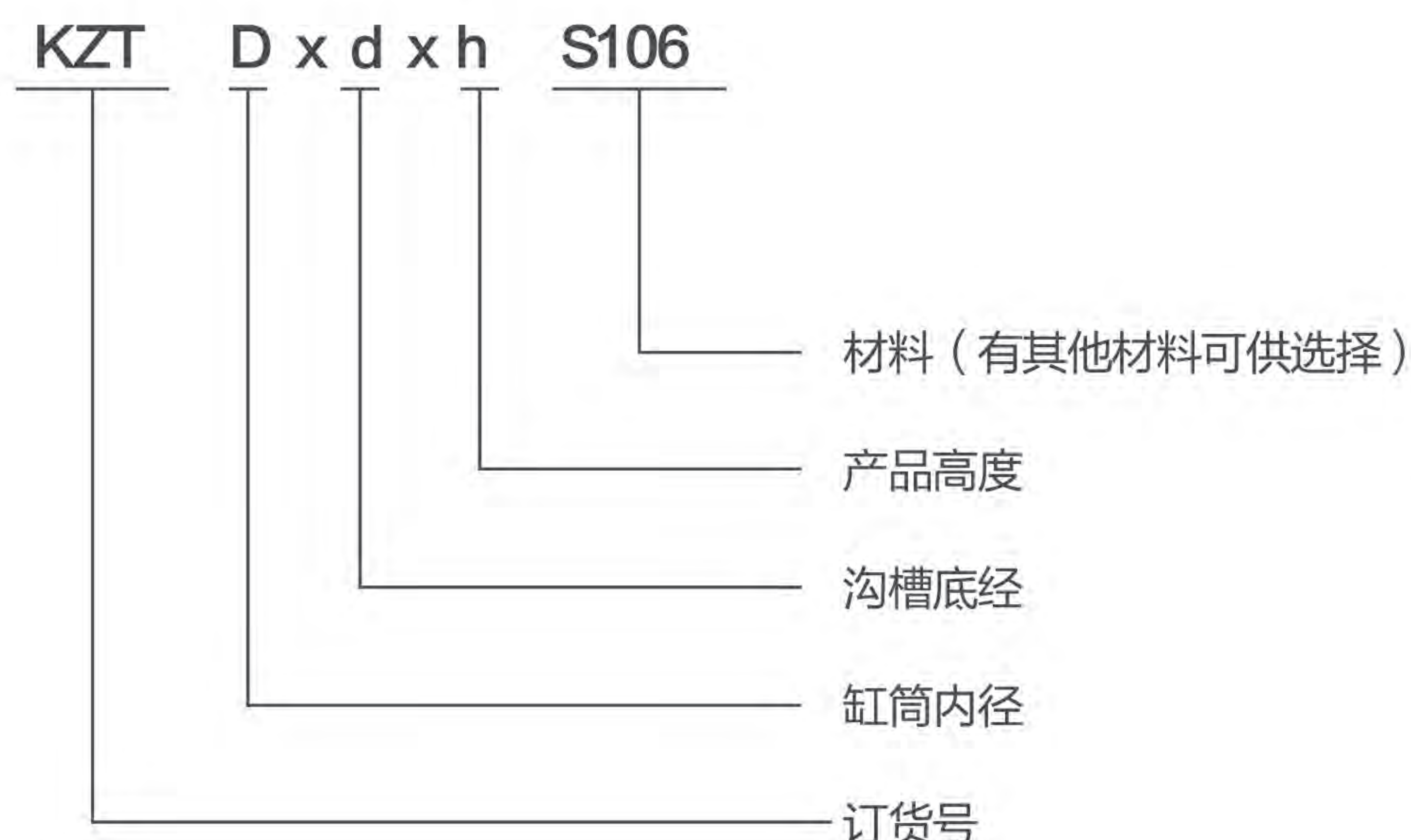
- ※ Made of modified PTFE material, the product is more wear-resistant and has a longer life.
- ※ Adopts PTFE pipe material for CNC turning, which is more precise in size and easy to install in the whole ring.

### Installation Requirements

- ※ Install the grooves carefully to clean them. The product can be bent inward and outward (the KZT is inward for the piston and the KZT is outward for the piston rod), so that it can fit tightly to the groove after being inserted into the groove, preventing the lift from being installed and cut off.

订货号标注方法:

Order number labeling method:



KZT型标准规格表 (单位: mm)

KZT type standard specification sheet (unit: mm)

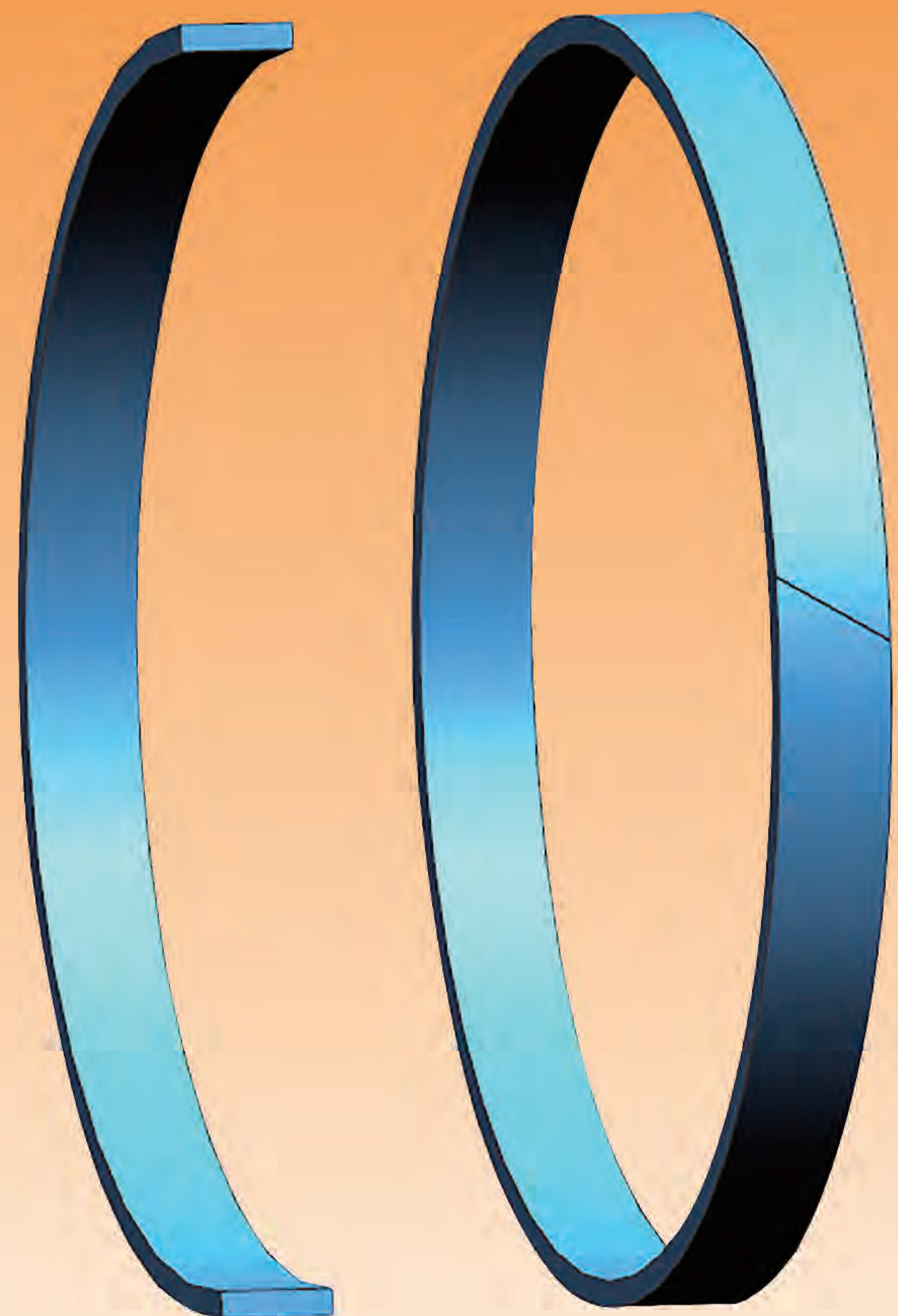
订货号	D H9	d -0.2	H +0.1	h	B	订货号	D H9	d -0.2	H +0.1	h	B	订货号	D H9	d -0.2	H +0.1	h	B
KZT 70*62*4	70	62	4.1	4	68	KZT 170*162*6	170	162	6.2	6	168	KZT 80*72*9.5	80	72	9.7	9.5	78
KZT 80*72*4	80	72	4.1	4	78	KZT 175*167*6	175	167	6.2	6	173	KZT 85*77*9.5	85	77	9.7	9.5	83
KZT 85*77*4	85	77	4.1	4	83	KZT 180*172*6	180	172	6.2	6	178	KZT 90*82*9.5	90	82	9.7	9.5	88
KZT 90*82*4	90	82	4.1	4	88	KZT 185*177*6	185	177	6.2	6	183	KZT 95*87*9.5	95	87	9.7	9.5	93
KZT 95*87*4	95	87	4.1	4	93	KZT 190*182*6	190	182	6.2	6	188	KZT 100*92*9.5	100	92	9.7	9.5	98
KZT 100*92*4	100	92	4.1	4	98	KZT 200*192*6	200	192	6.2	6	198	KZT 105*97*9.5	105	97	9.7	9.5	103
KZT 105*97*4	105	97	4.1	4	103	KZT 80*72*8	80	72	8.2	8	78	KZT 110*102*9.5	110	102	9.7	9.5	108
KZT 110*102*4	110	102	4.1	4	108	KZT 85*77*8	85	77	8.2	8	83	KZT 115*107*9.5	115	107	9.7	9.5	113
KZT 115*107*4	115	107	4.1	4	113	KZT 90*82*8	90	82	8.2	8	88	KZT 120*112*9.5	120	112	9.7	9.5	118
KZT 120*112*4	120	112	4.1	4	118	KZT 95*88*8	95	87	8.2	8	93	KZT 125*117*9.5	125	117	9.7	9.5	123
KZT 65*57*6	65	57	6.2	6	63	KZT 100*92*8	100	92	8.2	8	98	KZT 130*122*9.5	130	122	9.7	9.5	128
KZT 70*62*6	70	62	6.2	6	68	KZT 105*97*8	105	97	8.2	8	103	KZT 135*127*9.5	135	127	9.7	9.5	133
KZT 75*67*6	75	67	6.2	6	73	KZT 110*102*8	110	102	8.2	8	108	KZT 140*132*9.5	140	132	9.7	9.5	138
KZT 80*72*6	80	72	6.2	6	78	KZT 115*107*8	115	107	8.2	8	113	KZT 145*137*9.5	145	137	9.7	9.5	143
KZT 85*77*6	85	77	6.2	6	83	KZT 120*112*8	120	112	8.2	8	118	KZT 150*142*9.5	150	142	9.7	9.5	148
KZT 90*82*6	90	82	6.2	6	88	KZT 125*117*8	125	117	8.2	8	123	KZT 155*147*9.5	155	147	9.7	9.5	153
KZT 95*87*6	95	87	6.2	6	93	KZT 130*122*8	130	122	8.2	8	128	KZT 160*152*9.5	160	152	9.7	9.5	158
KZT 100*92*6	100	92	6.2	6	98	KZT 135*127*8	135	127	8.2	8	133	KZT 165*157*9.5	165	157	9.7	9.5	163
KZT 105*97*6	105	97	6.2	6	103	KZT 140*132*8	140	132	8.2	8	138	KZT 170*162*9.5	170	162	9.7	9.5	168
KZT 110*102*6	110	102	6.2	6	108	KZT 145*137*8	145	137	8.2	8	143	KZT 175*167*9.5	175	167	9.7	9.5	173
KZT 115*107*6	115	107	6.2	6	113	KZT 150*142*8	150	142	8.2	8	148	KZT 180*172*9.5	180	172	9.7	9.5	178
KZT 120*112*6	120	112	6.2	6	118	KZT 155*147*8	155	147	8.2	8	153	KZT 185*177*9.5	185	177	9.7	9.5	183
KZT 125*117*6	125	117	6.2	6	123	KZT 160*152*8	160	152	8.2	8	158	KZT 190*182*9.5	190	182	9.7	9.5	188
KZT 130*122*6	130	122	6.2	6	128	KZT 165*157*8	165	157	8.2	8	163	KZT 200*192*9.5	200	192	9.7	9.5	198
KZT 135*127*6	135	127	6.2	6	133	KZT 170*162*8	170	162	8.2	8	168	KZT 205*197*9.5	205	197	9.7	9.5	203
KZT 140*132*6	140	132	6.2	6	138	KZT 175*167*8	175	167	8.2	8	173	KZT 210*202*9.5	210	202	9.7	9.5	208
KZT 145*137*6	145	137	6.2	6	143	KZT 180*172*8	180	172	8.2	8	178	KZT 215*207*9.5	215	207	9.7	9.5	213
KZT 150*142*6	150	142	6.2	6	148	KZT 185*177*8	185	177	8.2	8	183	KZT 220*192*9.5	220	212	9.7	9.5	218
KZT 160*152*6	160	152	6.2	6	158	KZT 190*182*8	190	182	8.2	8	188						
KZT 165*157*6	165	157	6.2	6	163	KZT 200*192*8	200	192	8.2	8	198						

如有未标注的产品尺寸规格需求, 请与本公司咨询联系。  
相应产品请联系我们公司或分销商购买。

Mark: If you have other product requirements, please contact us.  
Please contact our company or distributor for the corresponding product.

# 支承环HGR

## WEAR RING HGR



### 技术参数

- ※ 工作温度:  $-50^{\circ}\text{C} \sim +120^{\circ}\text{C}$
- ※ 工作速度:  $\leq 0.5\text{m/s}$
- ※ 承压强度:  $q=340\text{N/mm}$
- ※ 材 料: 聚酯纤维增强的酚醛树脂

### HGR支承环主要特点

- ※ 采用聚酯纤维增强的酚醛树脂, 材料吸水率低, 承载能力强;
- ※ 产品柔韧性好, 弯折不容易断;
- ※ 产品表面经打磨处理, 表面更光滑;
- ※ 产品采用数控加工, 尺寸更精准;

### 安装要求

- ※ 安装沟槽仔细去除毛刺并清洗干净。产品可进行向内向外(活塞用HGR向内, 活塞杆用HGR向外)弯折, 使其装入沟槽后更能紧贴沟槽, 防止翘起安装时装切掉。



HGR支承环为开口式整环, 容易安装。材料耐磨性能好, 承载能力强, 使用寿命长。适用于活塞和活塞杆的导向, 使滑动面无金属接触, 可减少金属零件的磨损, 有减震作用。采用这类支承环可简化活塞和缸头的设计。

HGR Wear Ring is open type full ring, easy to install. The material has good wear resistance, Strong carrying capacity and long service life. Suitable for guiding pistons and piston rods, which makes the sliding surface free of metal contact, and it can reduce the wear of metal parts, with a shock absorption effect.

### Technical Parameters

- ※ Working temperature:  $-50^{\circ}\text{C} \sim +120^{\circ}\text{C}$
- ※ Working speed:  $\leq 0.5\text{m/s}$
- ※ Bearing strength:  $q=340\text{N/mm}$
- ※ Material: polyester fiber reinforced phenolic resin

### HGR Wear Ring Main Features

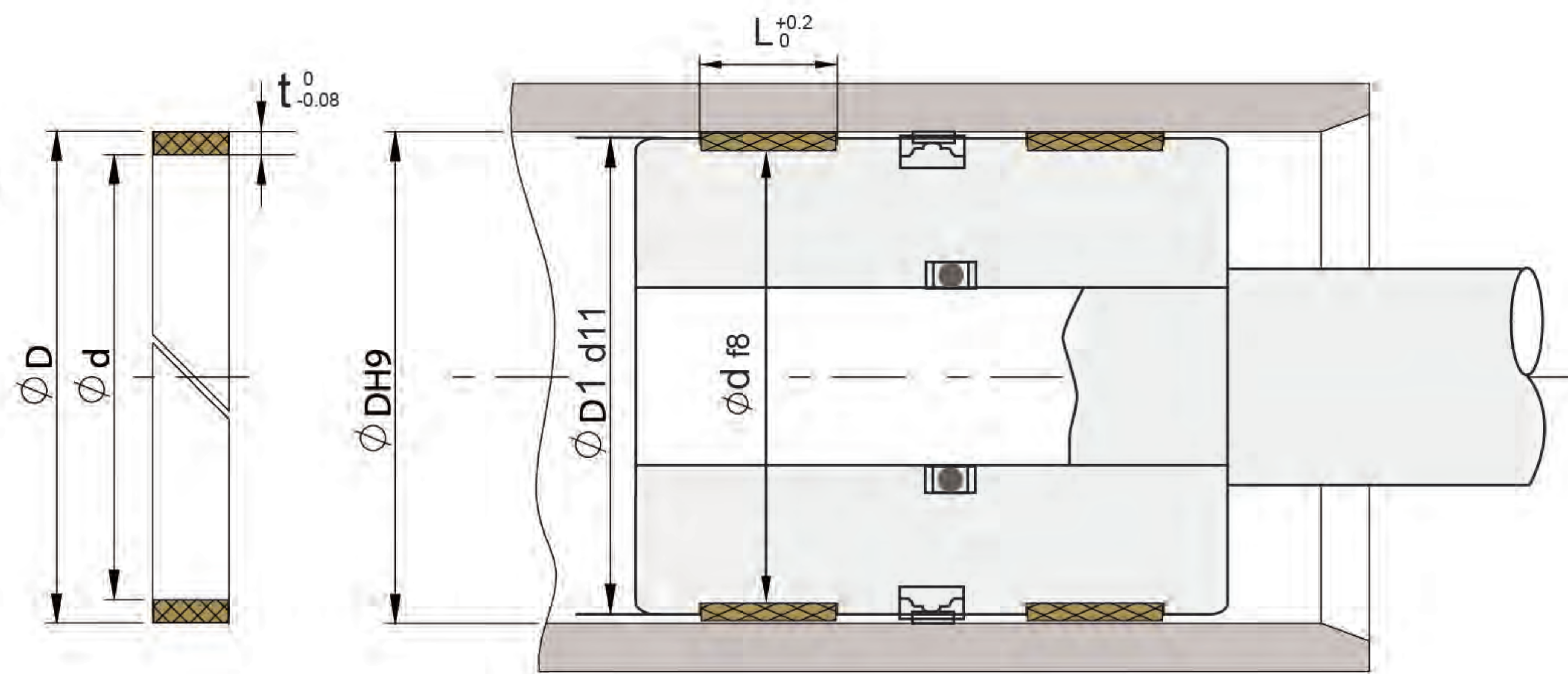
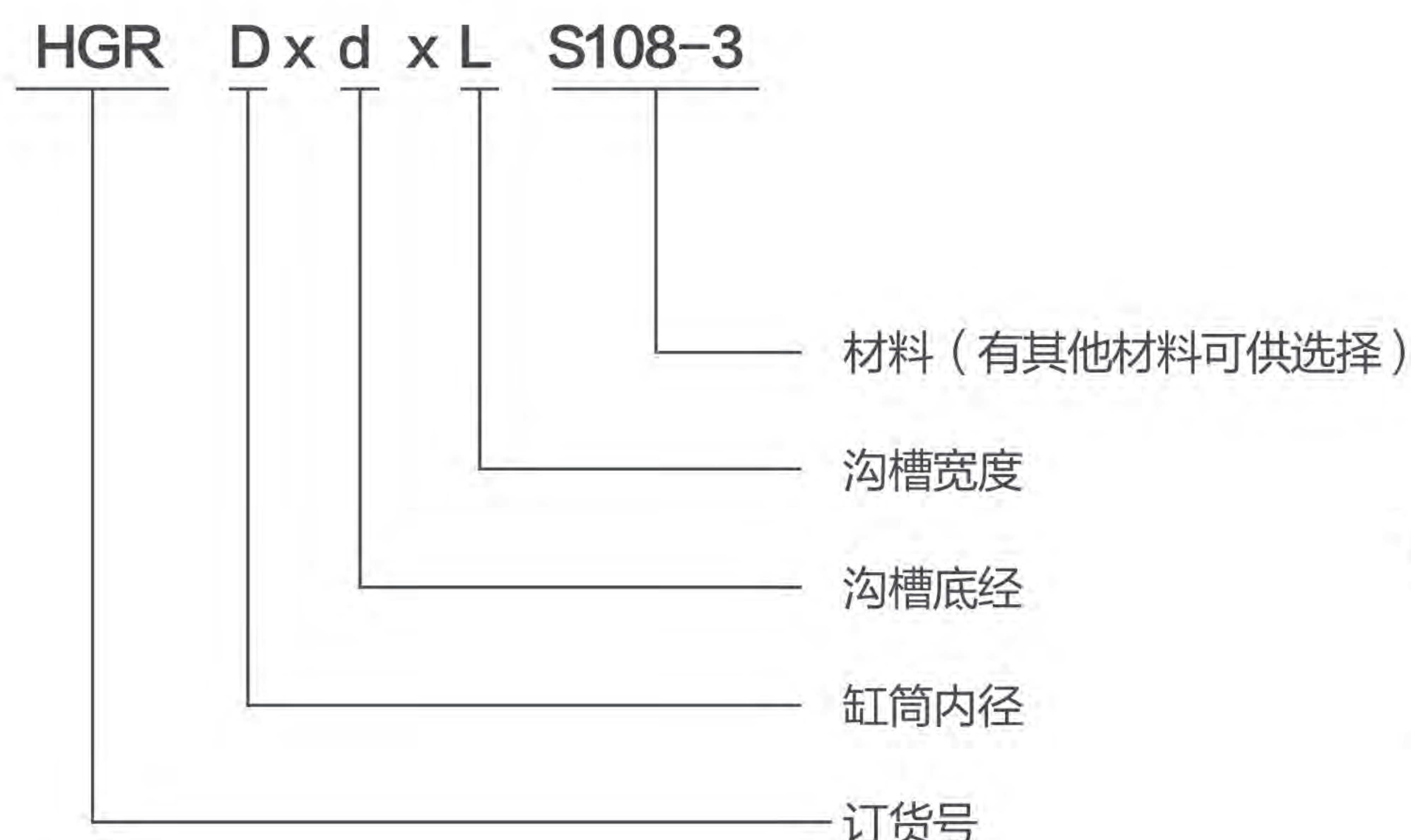
- ※ It is made of polyester fiber reinforced phenolic resin, which has low water absorption rate and strong carrying capacity;
- ※ The product has good flexibility, and the bending is not easy to break;
- ※ The surface of the product is polished and the surface is smoother.
- ※ The product adopts CNC machining and the size is more precise;

### Installation Requirements

- ※ Install the groove and be carefully to remove the burrs and clean them. The product can be bent inward and outward (the piston is inward with the HGR and the piston rod is outward with the HGR). This allows it to fit snugly into the groove and prevent it from being cut off.

订货号标注方法:

Order number labeling method:



HGR型标准规格表 (单位: mm)

HGR type standard specification sheet (unit: mm)

订货号	D H9	d f8	L +0.2	t	D1
HGR 80*75*8	80	75	8	2.5	79.5
HGR 85*80*8	85	80	8	2.5	84.5
HGR 90*85*8	90	85	8	2.5	89.5
HGR 95*90*8	95	90	8	2.5	94.5
HGR 100*95*8	100	95	8	2.5	99.5
HGR 105*100*8	105	100	8	2.5	104.4
HGR 110*105*8	110	105	8	2.5	109.4
HGR 115*110*8	115	110	8	2.5	114.4
HGR 120*115*8	120	115	8	2.5	119.4
HGR 125*120*8	125	120	8	2.5	124.4
HGR 130*125*8	130	125	8	2.5	129.4
HGR 135*130*8	135	130	8	2.5	134.4
HGR 140*135*8	140	135	8	2.5	139.4
HGR 145*140*8	145	140	8	2.5	144.4
HGR 40*35*9.7	40	35	9.7	2.5	39.7
HGR 50*45*9.7	50	45	9.7	2.5	49.6
HGR 55*50*9.7	55	50	9.7	2.5	54.6
HGR 60*55*9.7	60	55	9.7	2.5	59.6

订货号	D H9	d f8	L +0.2	t	D1
HGR 65*60*9.7	65	60	9.7	2.5	64.5
HGR 70*65*9.7	70	65	9.7	2.5	69.5
HGR 75*69*9.7	75	69	9.7	3	74.5
HGR 75*70*9.7	75	70	9.7	2.5	74.5
HGR 80*75*9.7	80	75	9.7	2.5	79.5
HGR 80*74*9.7	80	74	9.7	3	79.5
HGR 85*80*9.7	85	80	9.7	2.5	84.5
HGR 90*85*9.7	90	85	9.7	2.5	89.5
HGR 90*84*9.7	90	84	9.7	3	89.5
HGR 95*90*9.7	95	90	9.7	2.5	94.5
HGR 100*95*9.7	100	95	9.7	2.5	99.5
HGR 105*100*9.7	105	100	9.7	2.5	104.4
HGR 110*105*9.7	110	105	9.7	2.5	109.4
HGR 115*110*9.7	115	110	9.7	2.5	114.4
HGR 120*115*9.7	120	115	9.7	2.5	119.4
HGR 125*120*9.7	125	120	9.7	2.5	124.4
HGR 130*125*9.7	130	125	9.7	2.5	129.4
HGR 135*130*9.7	135	130	9.7	2.5	134.4

支承环 WEAR RING HGR

如有未标注的产品尺寸规格需求, 请与本公司咨询联系。  
相应产品请联系我们公司或分销商购买。

Mark: If you have other product requirements, please contact us.  
Please contact our company or distributor for the corresponding product.

### HGR型标准规格表 (单位: mm)

HGR type standard specification sheet (unit: mm)

订货号	D H9	d f8	L +0.2	t	D1
140*135*9.7	140	135	9.7	2.5	139.4
145*140*9.7	145	140	9.7	2.5	144.4
150*145*9.7	150	145	9.7	2.5	149.3
160*155*9.7	160	155	9.7	2.5	159.3
170*164*9.7	170	164	9.7	3	169.3
170*165*9.7	170	165	9.7	2.5	169.3
90*84*12.5	90	84	12.5	3	89.5
95*89*12.5	95	89	12.5	3	94.5
100*94*12.5	100	94	12.5	3	99.5
105*99*12.5	105	99	12.5	3	104.4
110*104*12.5	110	104	12.5	3	109.4
45*39*15	45	39	15	3	44.6
45*40*15	45	40	15	2.5	44.6
50*45*15	50	45	15	2.5	49.6
50*44*15	50	44	15	3	49.6
55*50*15	55	50	15	2.5	54.6
60*55*15	60	55	15	2.5	59.6
60*54*15	60	54	15	3	59.6
65*60*15	65	60	15	2.5	64.6
70*64*15	70	64	15	3	69.5
70*65*15	70	65	15	2.5	69.5
75*69*15	75	69	15	3	74.5
75*70*15	75	70	15	2.5	74.5
80*75*15	80	75	15	2.5	79.5
85*80*15	85	80	15	2.5	84.5
85*79*15	85	79	15	3	84.5
90*85*15	90	85	15	2.5	89.5
90*84*15	90	84	15	3	89.5

订货号	D H9	d f8	L +0.2	t	D1
95*90*15	95	90	15	2.5	94.5
100*95*15	100	95	15	2.5	99.5
100*94*15	100	94	15	3	99.5
105*100*15	105	100	15	2.5	104.4
105*99*15	105	99	15	3	104.4
110*105*15	110	105	15	2.5	109.4
110*104*15	110	104	15	3	109.4
115*110*15	115	110	15	2.5	114.4
115*109*15	115	109	15	3	114.4
120*110*15	120	110	15	5	119.4
120*115*15	120	115	15	2.5	119.4
120*114*15	120	114	15	3	119.4
125*119*15	125	119	15	3	124.4
125*120*15	125	120	15	2.5	124.4
130*125*15	130	125	15	2.5	129.4
130*120*15	130	120	15	5	129.4
135*130*15	135	130	15	2.5	134.4
135*125*15	135	125	15	5	134.4
140*135*15	140	135	15	2.5	139.4
145*140*15	145	140	15	2.5	144.4
150*145*15	150	145	15	2.5	149.3
160*155*15	160	155	15	2.5	159.3
160*154*15	160	154	15	3	159.3
165*160*15	165	160	15	2.5	164.3
170*165*15	170	165	15	2.5	169.3
175*170*15	175	170	15	2.5	174.3
180*174*15	180	174	15	3	179.3
70*65*20	70	65	20	2.5	69.5

### HGR型标准规格表 (单位: mm)

HGR type standard specification sheet (unit: mm)

订货号	D H9	d f8	L +0.2	t	D1
70*64*20	70	64	20	3	69.5
80*75*20	80	75	20	2.5	79.5
80*74*20	80	74	20	3	79.5
90*84*20	90	84	20	3	89.5
100*94*20	100	94	20	3	99.5
100*94*22.5	100	94	22.5	3	99.5
110*104*22.5	110	104	22.5	3	109.4
120*114*22.5	120	114	22.5	3	119.4
180*172*22.5	180	172	22.5	4	179.3
190*182*22.5	190	182	22.5	4	189.3
200*192*22.5	200	192	22.5	4	199.3
60*54*25	60	54	25	3	59.6
70*65*25	70	65	25	2.5	69.5
70*64*25	70	64	25	3	69.5
75*69*25	75	69	25	3	74.5
75*70*25	75	70	25	2.5	74.5
80*75*25	80	75	25	2.5	79.5
80*74*25	80	74	25	3	79.5
90*84*25	90	84	25	3	89.5
100*94*25	100	94	25	3	99.5
110*104*25	110	104	25	3	109.4
130*125*25	130	125	25	2.5	129.4
140*135*25	140	135	25	2.5	139.4
150*145*25	150	145	25	2.5	149.3
160*155*25	160	155	25	2.5	159.3
165*160*25	165	160	25	2.5	164.3
170*165*25	170	165	25	2.5	169.3
165*157*25	165	157	25	4	164.3

订货号	D H9	d f8	L +0.2	t	D1
175*167*25	175	167	25	4	174.3
180*175*25	180	175	25	2.5	179.3
190*185*25	190	185	25	2.5	189.3
190*182*25	190	182	25	4	189.3
200*195*25	200	195	25	2.5	199.3
210*205*25	210	205	25	2.5	209.3
220*215*25	220	215	25	2.5	219.3
230*220*25	230	220	25	5	229.3
230*225*25	230	225	25	2.5	229.3
240*235*25	240	235	25	2.5	239.3
250*245*25	250	245	25	2.5	249.3
260*255*25	260	255	25	2.5	259.3
270*265*25	270	265	25	2.5	269.3
280*275*25	280	275	25	2.5	279.2
290*285*25	290	285	25	2.5	289.2
300*295*25	300	295	25	2.5	299.2
310*305*25	310	305	25	2.5	309
320*315*25	320	315	25	2.5	319
350*345*25	350	345	25	2.5	349
360*355*25	360	355	25	2.5	359
80*74*30	80	74	30	3	79.5
90*84*30	90	84	30	3	89.5
100*94*30	100	94	30	3	99.5
110*104*30	110	104	30	3	109.4
120*114*30	120	114	30	3	119.4
165*159*30	165	159	30	3	164.3

如有未标注的产品尺寸规格需求, 请与本公司咨询联系。  
相应产品请联系我们公司或分销商购买。

Mark: If you have other product requirements, please contact us.  
Please contact our company or distributor for the corresponding product.

# 聚氨酯O形圈-OR

POLYURETHANE O-RING - OR



## 技术参数

- ※ 工作温度:  $-35^{\circ}\text{C} \sim +100^{\circ}\text{C}$
- ※ 工作速度:  $\leq 0.5\text{m/s}$
- ※ 工作介质: 液压油 (矿物油基)
- ※ 材 料: 唯万自主研发的聚氨酯

## OR密封件主要特点

- ※ 聚氨酯材料更耐磨, 是普通丁腈的5~10倍;
- ※ 聚氨酯材料强度高, 耐冲击抗挤出;
- ※ 聚氨酯O形圈不容易扭曲;
- ※ 可用作挖机泵阀阀芯上O圈的应用;
- ※ 可用作中心接头上旋转O圈的应用, 比普通橡胶O圈寿命更长;
- ※ 可用作油缸缸盖外圆静密封O圈的应用, 抗脉冲压力, 也可提高因缸筒涨缸带来的挤出风险;

## 安装要求

- ※ 由于聚氨酯材料的高模量, 其沟槽与普通O形圈略有不同。所有边都需要倒角处理, 倒角半径至少为0.1mm。

## Installation Requirements

- ※ Due to the high modulus of the polyurethane material, the grooves are slightly different from ordinary O-rings. All sides require chamfering and the chamfer radius is at least 0.1 mm.



OR型聚氨酯O形圈采用的是唯万自主研发的一些聚氨酯。这类材料具有很低的压缩形变率。正因为如此使得其适合作O形圈的材料。用该材料所做的O形圈比普通O形圈更抗挤出, 故而更适合用于高脉冲压力, 或由于空间限制而不能使用挡圈的场合。由于其抗磨性高, 聚氨酯O形圈也适合动密封场合, 并取得了很好的效果, 如气阀的先导阀密封或主阀芯的动密封。也可用于短行程夹紧缸的定位, 或通过HFA液体但缺少润滑的阀体密封。

The OR type polyurethane O-ring adopts some polyurethanes independently developed by Weiwan. This type of material has a very low compression set. Because of this, it is suitable as a material for O-rings. O-rings made with this material are more resistant to extrusion than ordinary O-rings, so they are more suitable for high pulse pressures or where space is limited and the retaining ring cannot be used. Due to its high abrasion resistance, the polyurethane O-ring is also suitable for dynamic sealing applications, and has achieved good results, such as the pilot valve seal of the gas valve or the dynamic seal of the main spool. It can also be used for the positioning of short stroke clamping cylinders or for valve bodies that are HFA liquid but lack lubrication.

## Technical Parameters

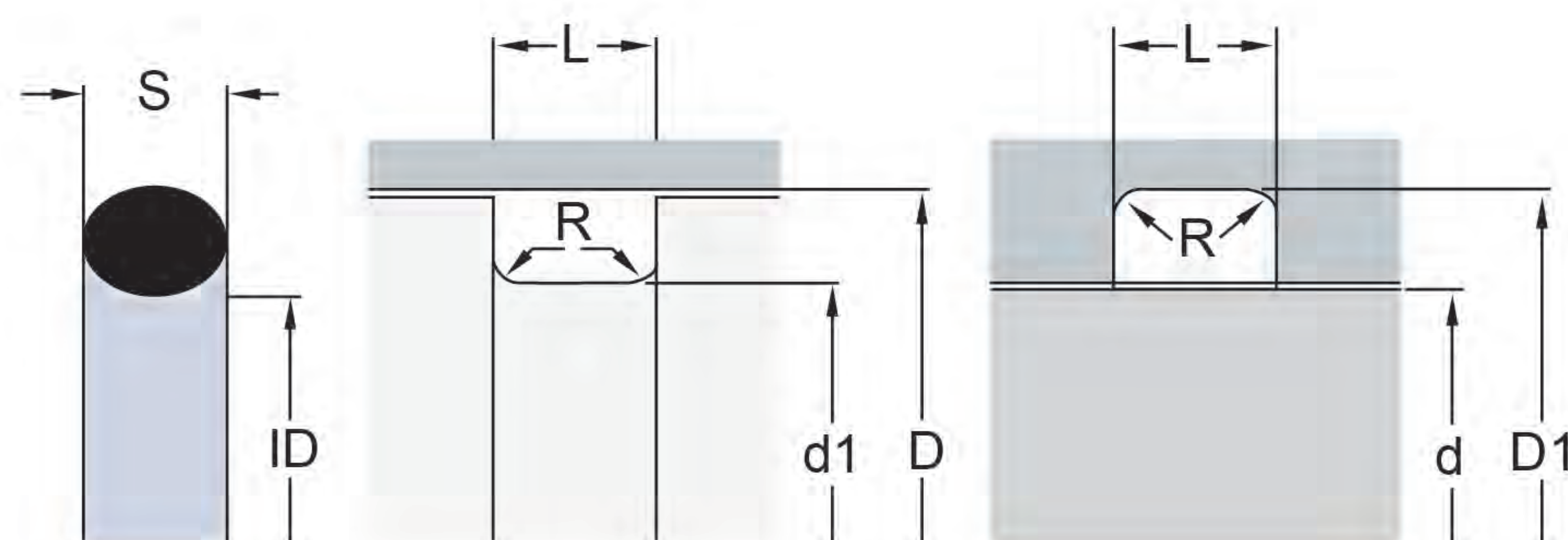
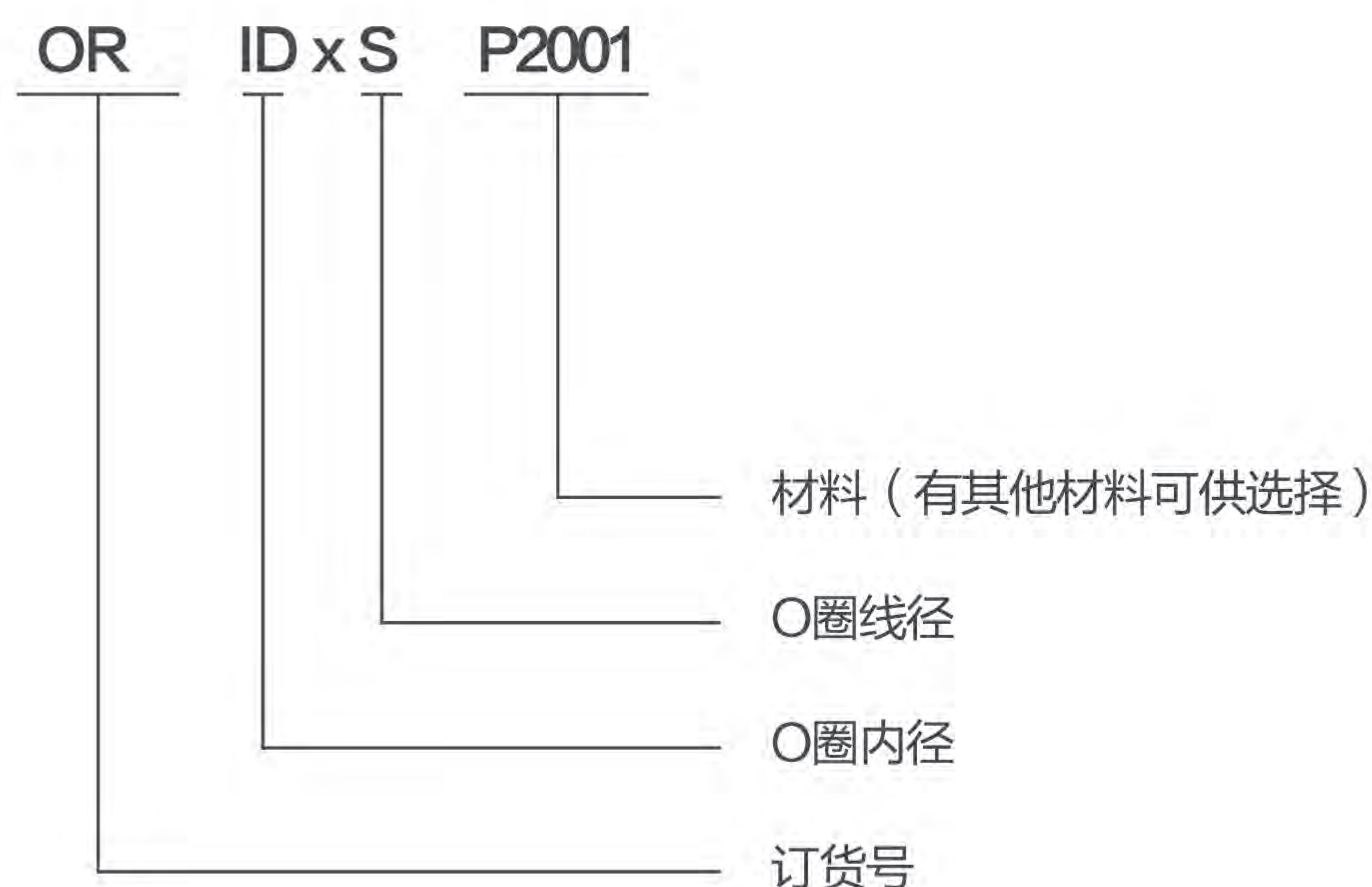
- ※ Working temperature:  $-35^{\circ}\text{C} \sim +100^{\circ}\text{C}$
- ※ Working speed:  $\leq 0.5\text{m/s}$
- ※ Working medium: hydraulic oil (mineral oil base)
- ※ Material: Weiwan independently developed polyurethane

## OR Seal Main Features

- ※ Polyurethane material is more wear-resistant, 5~10 times that of common nitrile;
- ※ Polyurethane material has high strength, impact resistance and extrusion resistance;
- ※ Polyurethane O-rings are not easily twisted;
- ※ can be used as an O-ring on the spool of the excavator pump valve
- ※ can be used as a rotating O-ring on the center joint, which lasts longer than the ordinary rubber O-ring;
- ※ It can be used as the outer ring O-ring of cylinder head, anti-pulse pressure, and can also increase the risk of extrusion caused by cylinder expansion;

**订货号标注方法:**

Order number labeling method:



**OR型标准规格表 (单位: mm)**

OR type standard specification sheet (unit: mm)

订货号	ID	S
OR 13X1.5 P2001	13	1.5
OR 6.07X1.78 P2001	6.07	1.78
OR 4.47X1.78 P2001	4.47	1.78
OR 8.5X1.9 P2001	8.5	1.9
OR 3.4X1.9 P2001	3.4	1.9
OR 14.3X1.9 P2001	14.3	1.9
OR 12.3X1.9 P2001	12.3	1.9
OR 10.5X1.9 P2001	10.5	1.9
OR 8X2 P2001	8	2
OR 17.12X2.62 P2001	17.12	2.62
OR 13.94X2.62 P2001	13.94	2.62
OR 78.8X3.1 P2001	78.8	3.1
OR 68.8X3.1 P2001	68.8	3.1
OR 53.8X3.1 P2001	53.8	3.1
OR 43.8X3.1 P2001	43.8	3.1
OR 144.4X3.1 P2001	144.4	3.1
OR 139.4X3.1 P2001	139.4	3.1
OR 134.4X3.1 P2001	134.4	3.1
OR 129.4X3.1 P2001	129.4	3.1
OR 25X3.5 P2001	25	3.5

订货号	ID	S
OR 15.5X3.75 P2001	15.5	3.75
OR 139X5 P2001	139	5
OR 90X5.3 P2001	90	5.3
OR 239X5.3 P2001	239	5.3
OR 99.6X5.7 P2001	99.6	5.7
OR 89.6X5.7 P2001	89.6	5.7
OR 79.6X5.7 P2001	79.6	5.7
OR 69.6X5.7 P2001	69.6	5.7
OR 59.6X5.7 P2001	59.6	5.7
OR 228.6X5.7 P2001	228.6	5.7
OR 219.3X5.7 P2001	219.3	5.7
OR 159.3X5.7 P2001	159.3	5.7
OR 153.6X5.7 P2001	153.6	5.7
OR 148.6X5.7 P2001	148.6	5.7
OR 139.6X5.7 P2001	139.6	5.7
OR 129.6X5.7 P2001	129.6	5.7
OR 124.6X5.7 P2001	124.6	5.7
OR 109.6X5.7 P2001	109.6	5.7
OR 345X8 P2001	345	8

如有未标注的产品尺寸规格需求, 请与本公司咨询联系。  
相应产品请联系我们公司或分销商购买。

Mark: If you have other product requirements, please contact us.  
Please contact our company or distributor for the corresponding product.

# 回转密封RRS

## ROTARY SEAL RRS



### 技术参数

- ※ 工作温度:  $-35^{\circ}\text{C} \sim +110^{\circ}\text{C}$
- ※ 工作速度:  $\leq 1\text{m/s}$
- ※ 工作压力:  $\leq 30\text{MPa}$
- ※ 工作介质: 液压油 (矿物油基)
- ※ 材 料: 唯万自主研发的聚氨酯

### RRS旋转密封件主要特点

- ※ 安装方便;
- ※ 尺寸控制精准, 密封效果好;
- ※ 优异的唯万自主研发聚氨酯材料, 综合性能优异, 使用寿命更长。

### 安装要求

- ※ 这类密封应有轴向间隙。为了避免损坏唇口, 安装时不要在锐边上拉动。对维修油缸, 一定要清洗好沟槽底部的污物和锈斑, 以防外侧发生渗油。在更换密封的同时, 检查下维修缸的旋转轴部件是否有碰伤, 磨痕等现象, 以免损坏密封唇口。



RRS型聚氨酯旋转密封是采用唯万自主研发的优异聚氨酯材料制成的, 具有低压变, 高强度, 高耐磨等特性, 主要用于挖机中央回转接头里的旋转密封。

RRS type polyurethane rotary seal is made of excellent polyurethane material independently developed by Weiwan. It has the characteristics of low pressure, high strength and high wear resistance. It is mainly used for rotary sealing in the center rotary joint of excavator.

### Technical Parameters

- ※ Working temperature:  $-35^{\circ}\text{C} \sim +110^{\circ}\text{C}$
- ※ Working speed:  $\leq 1\text{m/s}$
- ※ Working pressure:  $\leq 30\text{MPa}$
- ※ Working medium: hydraulic oil (mineral oil base)
- ※ Materials: Weiwan self-develop PU

### RRS Rotary Seal Main Features

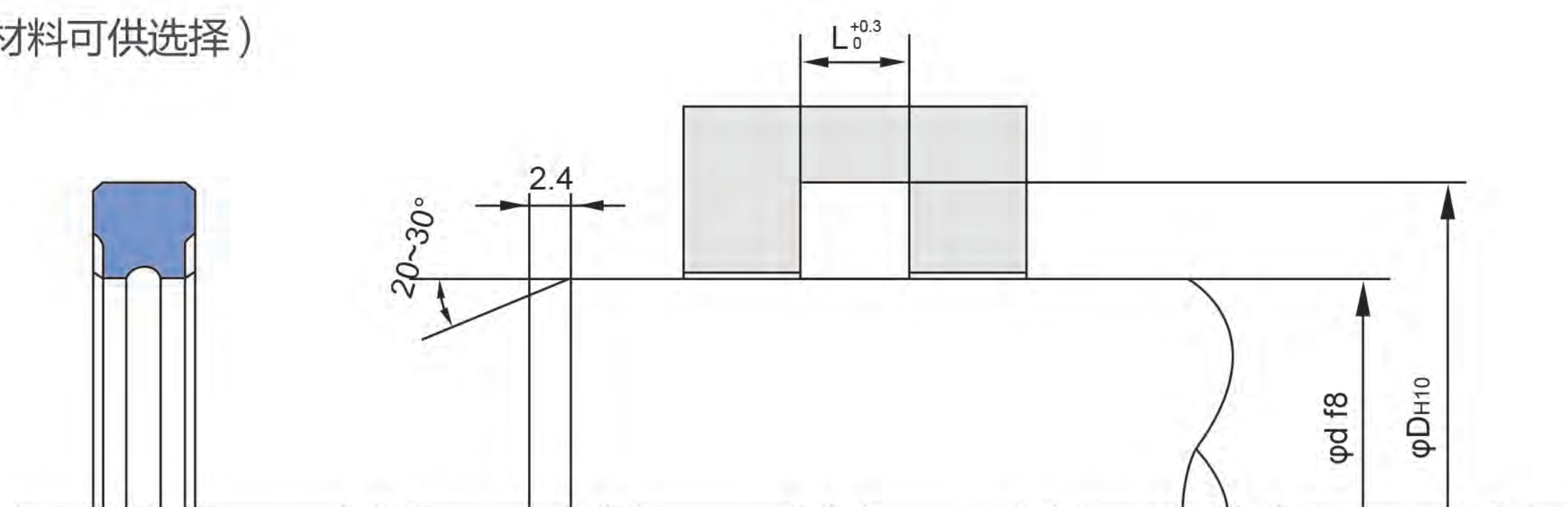
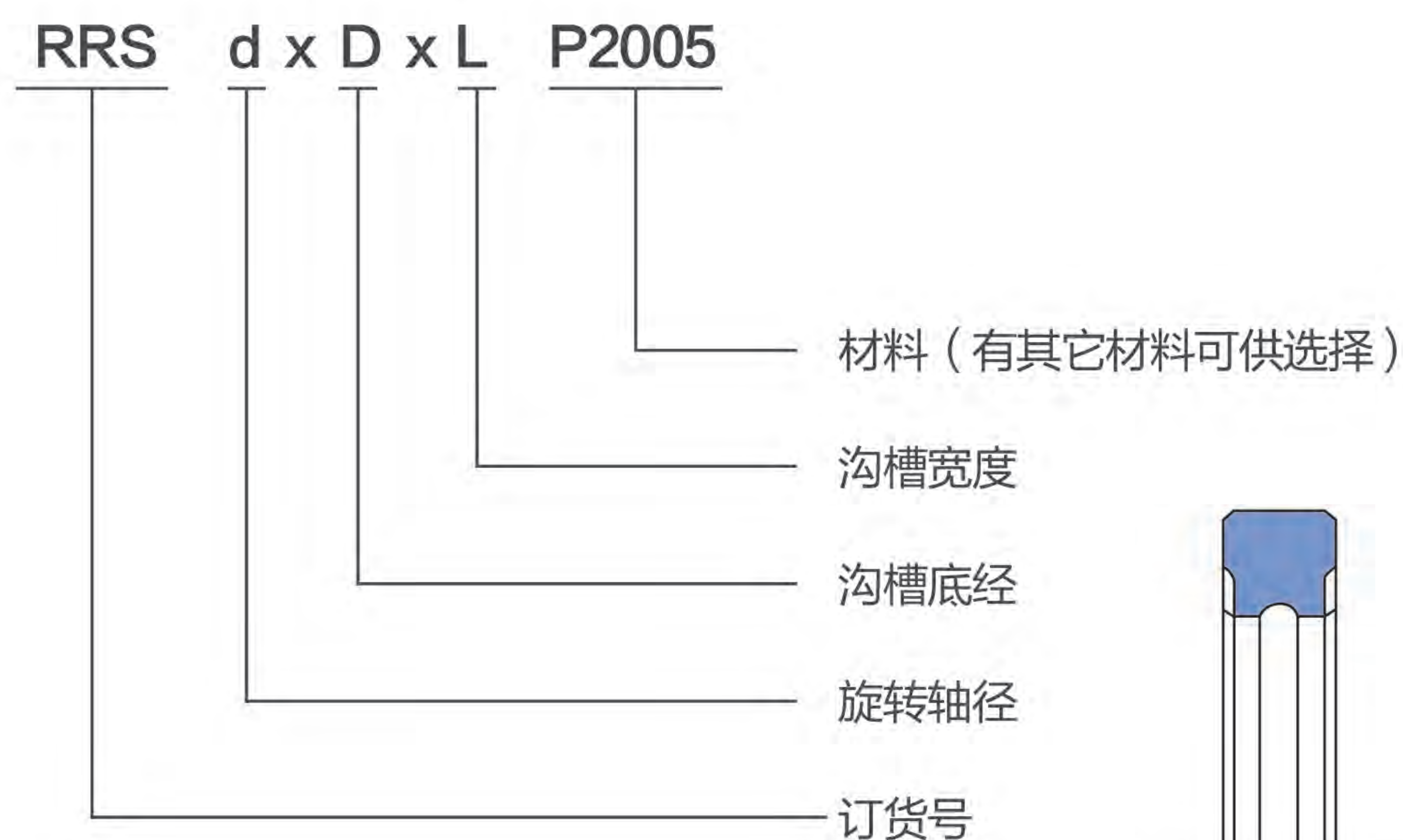
- ※ Easy to install;
- ※ Accurate size control and good sealing effect;
- ※ The excellent Weiwan self-developed polyurethane material has excellent comprehensive performance and long service life.

### Installation Requirements

- ※ This type of seal should have an axial gap. To avoid damage to the lip, do not pull on the sharp edge during installation. For the maintenance cylinder, be sure to clean the dirt and rust on the bottom of the groove to prevent oil leakage on the outside. While replacing the seal, check the rotating shaft parts of the lower service cylinder for any bumps, wear marks, etc., so as not to damage the sealing lip.

**订货号标注方法:**

Order number labeling method:



**RRS型标准规格表 (单位: mm)**

RRS type standard specification sheet (unit: mm)

订货号	d f8	D H10	L +0.3
RRS-60X70X5 P2005	60	70	5
RRS-70X80X5 P2005	70	80	5
RRS-75X85X5 P2005	75	85	5
RRS-80X90X5 P2005	80	90	5
RRS-90X100X5 P2005	90	100	5
RRS-95X105X5 P2005	95	105	5
RRS-100X110X5 P2005	100	110	5
RRS-105X115X5 P2005	105	115	5
RRS-110X120X5 P2005	110	120	5
RRS-115X125X5 P2005	115	125	5
RRS-120X130X5 P2005	120	130	5

如有未标注的产品尺寸规格需求, 请与本公司咨询联系。  
相应产品请联系我们公司或分销商购买。

Mark: If you have other product requirements, please contact us.  
Please contact our company or distributor for the corresponding product.

# 活塞密封HPA

## PISTON SEAL HPA



### 技术参数

- ※ 工作温度:  $-35^{\circ}\text{C} \sim +110^{\circ}\text{C}$
- ※ 工作速度:  $\leq 0.5\text{m/s}$
- ※ 工作压力:  $\leq 50\text{MPa}$  (压力峰值达 $100\text{MPa}$ )
- ※ 工作介质: 液压油 (矿物油基)
- ※ 材 料: 唯万自主研发的聚氨酯+改性聚甲醛

### HPA活塞密封件主要特点

- ※ 专门针对履带涨紧油缸活塞密封开发的一款高端密封, 耐高压, 耐冲击, 耐磨;
- ※ 优异的唯万自主研发聚氨酯材料, 综合性能优异, 使用寿命更长。

### 安装要求

- ※ 这类密封应有轴向间隙。为了避免损坏唇口, 安装时不要在锐边上拉动。对维修缸, 一定要将油缸部件清洗干净, 以免杂质残留影响密封导致泄漏。在更换密封的同时, 检查下维修缸的缸筒内部是否有损伤, 缸壁是否有锈蚀现象, 以免损坏密封唇口。



HPA型活塞密封是用在活塞上的一种单作用唇形密封, 可用于普通橡胶或织物补强橡胶的物理性能达不到要求的各种场合。且自带挡圈, 抗挤出耐高压能力更强。

The HPA piston seal is a single-acting lip seal used on the piston and can be used in a variety of applications where the physical properties of ordinary rubber or fabric reinforced rubber are not satisfactory. And with its own retaining ring, anti-extrusion and high pressure resistance is stronger.

### Technical Parameters

- ※ Working temperature:  $-35^{\circ}\text{C} \sim +110^{\circ}\text{C}$
- ※ Working speed:  $\leq 0.5\text{m/s}$
- ※ Working pressure:  $\leq 50\text{MPa}$  (pressure peak up to  $100\text{MPa}$ )
- ※ Working medium: hydraulic oil (mineral oil base)
- ※ Material: Weiwan's self-developed polyurethane + modified polyoxymethylene

### HPA Piston Seal Main Features

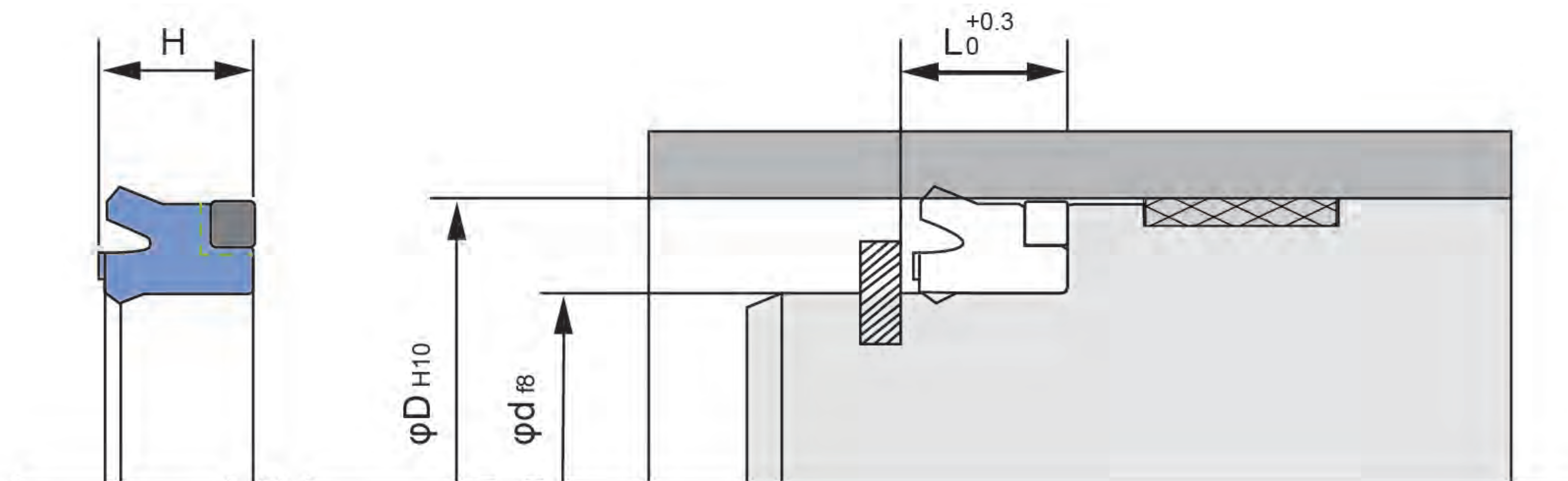
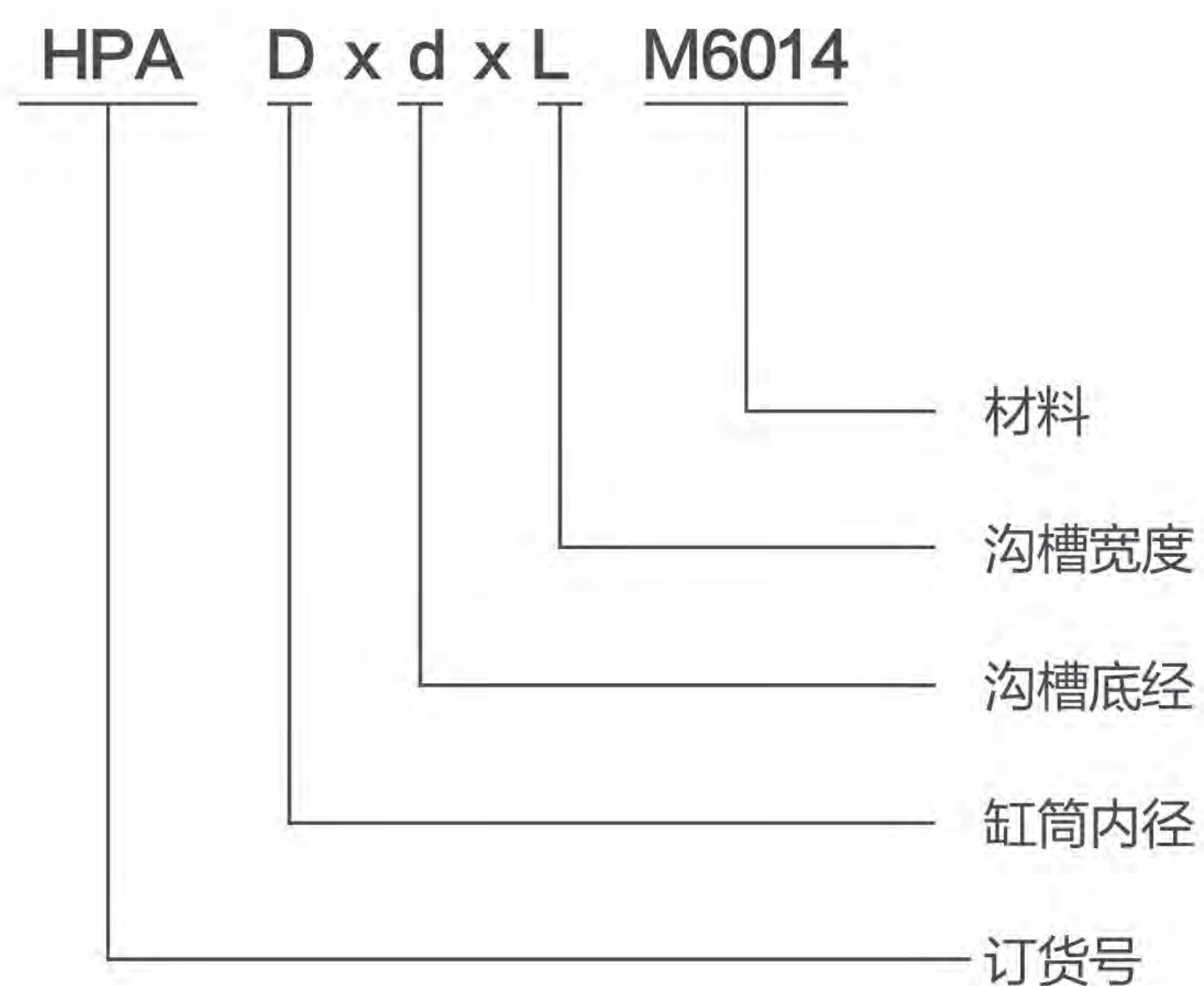
- ※ A High-end seal, specially developed for the adjust cylinder piston seal, high pressure resistant, impact resistant and wear resistant;
- ※ The excellent Weiwan self-developed polyurethane material has excellent comprehensive performance and long service life.

### Installation Requirements

- ※ This type of seal should have an axial gap. To avoid damage to the lip, do not pull on the sharp edge during installation. For the maintenance cylinder, the cylinder components must be cleaned to avoid leakage of impurities and leakage. While replacing the seal, check the inside of the cylinder of the lower maintenance cylinder for damage and whether the cylinder wall is rusted to avoid damage to the sealing lip.

订货号标注方法:

Order number labeling method:



HPA型标准规格表 (单位: mm)

HPA type standard specification sheet (unit: mm)

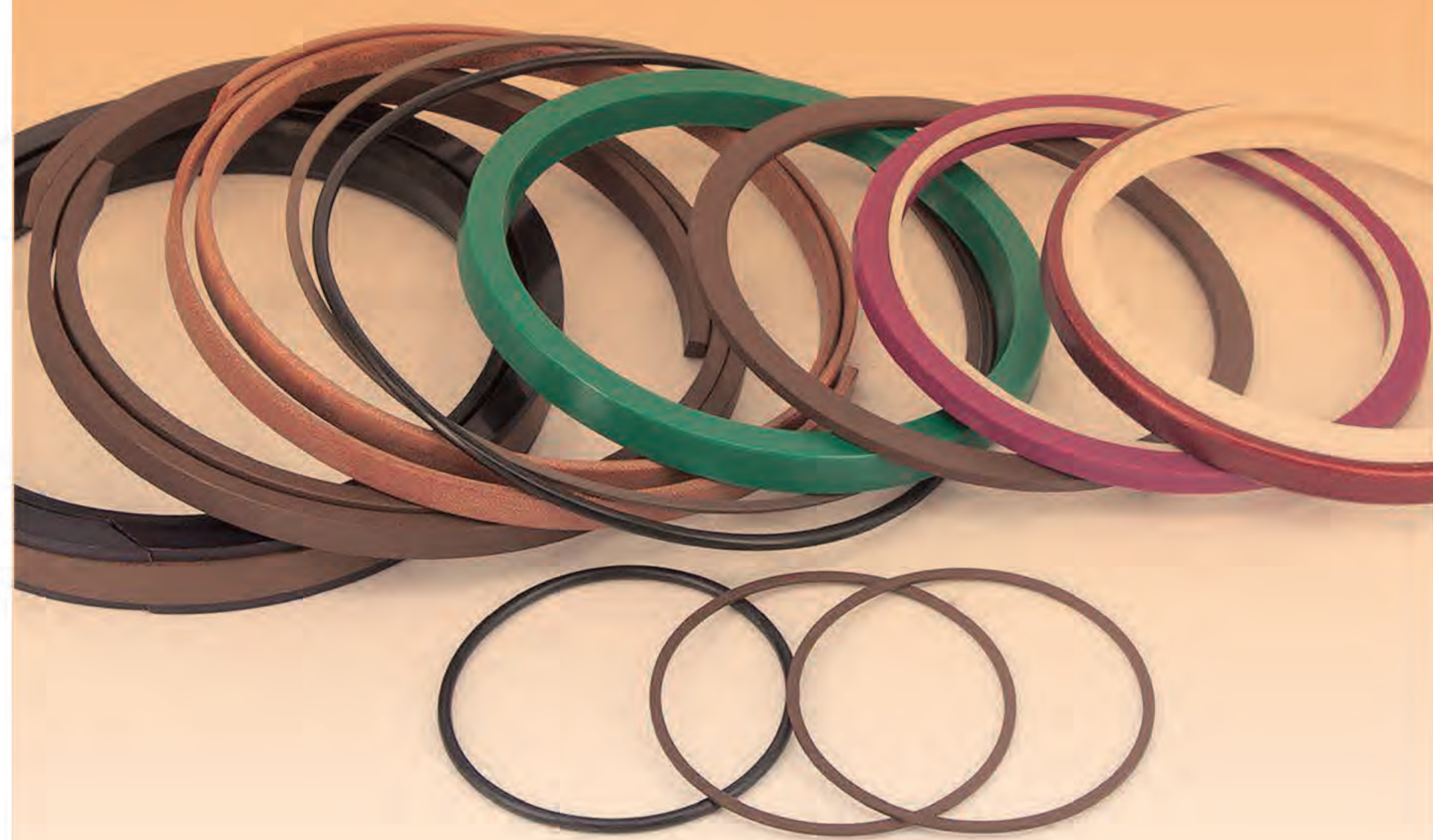
订货号	D H10	d f8	L +0.3	H
HPA-40*25*13	40	25	13	12
HPA-45*30*13	45	30	13	12
HPA-50*35*13	50	35	13	12
HPA-60*45*13	60	45	13	12
HPA-60*35*16	60	35	16	15
HPA-70*40*13	70	40	13	12
HPA-70*55*13	70	55	13	12
HPA-70*45*16.5	70	45	16.5	15.5
HPA-75*60*13	75	60	13	12
HPA-80*64*13	80	64	13	12
HPA-80*55*19	80	55	19	18
HPA-85*70*13	85	70	13	12
HPA-90*70*13	90	70	13	12
HPA-90*65*19	90	65	19	18
HPA-95*80*13	95	80	13	12
HPA-100*75*19	100	75	19	18
HPA-105*85*13	105	85	13	12

如有未标注的产品尺寸规格需求, 请与本公司咨询联系。  
相应产品请联系我们公司或分销商购买。

Mark: If you have other product requirements, please contact us.  
Please contact our company or distributor for the corresponding product.

# 挖机维修密封包

## EXCAVATOR SEAL KIT



修理包 SEAL KIT

### 优势

- ※ 唯万公司长期给三一、徐工、中联、柳工、龙工等主机厂配套；
- ※ 唯万公司是三一挖机、徐工挖机售后维修密封包备件供应商；
- ※ 唯万公司整合了SKF、TecThane品牌密封和国产密封产品资源，能提供质量稳定，性价比高的密封修理包产品。

TecThane®

SKF

可提供各种机型的油缸密封修理包，涨紧缸修理包，中心接头修理包，泵、阀修理包，行走、回转机构修理包等密封产品。密封包配置可提供SKF品牌的高端配置修理包，也可提供TecThane品牌的高性价比配置修理包。

Provided all kinds of cylinder seal kits/Adjust cylinder seal kits/Center joint seal kits/Pump/Valve/Travel motor/Rotary motor seal kits and other sealing products.The seal kits can deploy SKF brand high quality seals products ,and we also can provide TECTHANE brand cost&effective seal kits

### Advantage

- ※ Weiwan company support for Sany, Xugong, Zhonglian, Liugong, Longgong and other OEMs for long-term.
- ※ Weiwan company is the seal kits supplier for SANY, XUGONG excavators
- ※ Weiwan Company integrates SKF, TecThane brand sealing and domestic sealing products resources, and can provide stable and cost-effective sealing repair kit products;